

# Portable Bench Scales

# SA Series



- One scale for both precise (0.001 kg/1 g readability\*<sup>i</sup>) and high-capacity weighing
- Broad utility for home, office, floor or out in the field

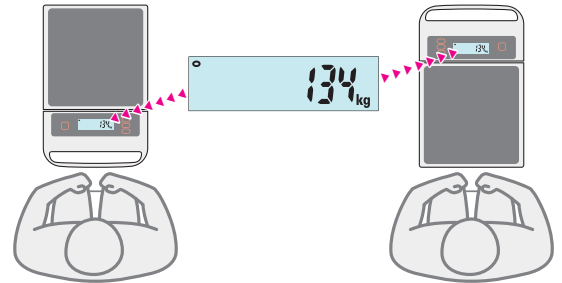
\*<sup>i</sup> Up to 3 kg/3000 g (smart range)



**AND** ...Clearly a Better Value  
A&D Company, Limited  
<http://www.aandd.jp>

## Features

- ✓ Easy to carry around and/or take aboard a vehicle to use at various locations
- ✓ Low profile (approx. 73 mm) that can be stored in narrow spaces or propped against a wall
- ✓ Four weighing ranges (readabilities) selectable depending on your required precision
- ✓ LCD display with backlight (24 mm character height), which is 180-degree reversible
- ✓ Display hold, buzzer, auto power ON/OFF functions
- ✓ Automatic zero setting mode that automatically performs tare and sets the display to zero once the weight value becomes stable\*<sup>ii</sup>
- ✓ Operation with either AC adapter (provided as standard) or four D batteries
- ✓ Data output to a PC, printer, etc., via RS-232C interface (optional)



180-degree reversible display

\*<sup>ii</sup> This is useful, for example, when taring your own body weight before measuring the weight of an animal by holding it (you don't have to crouch down to press the Re-Zero/AT key).



## Specifications

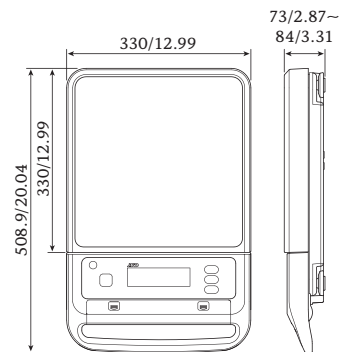
	SA-30K	SA-60K	SA-150K
Weighing capacity	30 kg	60 kg	150 kg
Minimum weighing value (selectable)	Range 1	0.1 kg	
	Range 2	0.01 kg	
	Range 3	0.001 kg (0 to 3 kg) / 0.01 kg (greater than 3 kg)*	
	Range 4	1 g (0 to 3000 g) / 0.01 kg (greater than 3 kg)*	
Repeatability (standard deviation)	2 g		
Linearity	±10 g	±20 g	±50 g
Sensitivity drift	±20 ppm / °C (5 °C to 35 °C / 41 °F to 95 °F)		
Display	7 segment LCD (character height: 24 mm) with white backlight 180° reversible display		
Display update	Approx. 10 times / second		
Operating temperature and humidity	-10 °C to 40 °C / 14 °F to 104 °F, 85% RH or less (no condensation)		
Power supply	AC adapter or 4 D batteries		
Battery life	Approx. 700 hours (with alkaline batteries, backlight off)		
Weighing pan size	330 x 330 mm / 12.99 x 12.99 in		
Weight	Approx. 6.3 kg / 13.89 lb		
Standard accessories	Instruction manual, AC adapter		

\* Smart range function: The minimum weighing value will switch to 0.01 kg automatically when the display value exceeds 3 kg/3000 g but returns to 0.001 kg/1 g by pressing the Re-Zero/AT (tare) key.

## Options

SA-03 RS-232C interface

## Dimensions (mm/inches)



**A&D Company, Limited**  
3-23-14 Higashi-Ikebukuro, Toshima-ku, Tokyo 170-0013 JAPAN  
Telephone:[81](3) 5391-6132 Fax:[81](3) 5391-6148  
http://www.aandd.jp

**A&D ENGINEERING, INC.**  
1756 Automation Parkway, San Jose, CA 95131 U.S.A.  
Telephone:[1](408) 263-5333 Fax:[1](408) 263-0119

**A&D Australasia Pty Ltd.**  
32 Dew Street, Thebarton, South Australia 5031 AUSTRALIA  
Telephone:[61](8) 8301-8100 Fax:[61](8) 8352-7409

**A&D INSTRUMENTS LTD.**  
Unit 24/26 Blacklands Way Abingdon Business Park,  
Abingdon, Oxon OX14 1DY UNITED KINGDOM  
Telephone:[44](1235) 550420 Fax:[44](1235) 550485

**<German Sales Office>**  
Hamburger Straße 30 D-22926 Ahrensburg GERMANY  
Telephone:[49](0) 4102 459230 Fax:[49](0) 4102 459231

**A&D KOREA Limited**  
817, Manhattan Bldg., 33, Gukjegeumyung-ro 6-gil,  
Yeongdeungpo-gu, Seoul, 07331, KOREA  
Telephone:[82](2) 780-4101 Fax:[82](2) 782-4280

**A&D RUS CO., LTD.**  
Vereyskaya str.17, Moscow, 121357 RUSSIA  
Telephone: [7] (495) 937-33-44 Fax: [7] (495) 937-55-66

**A&D Instruments India Private Limited**  
509 Udyog Vihar Phase V  
Gurgaon-122 016, Haryana, INDIA  
Telephone: [91](124) 471-5555 Fax: [91](124) 471-5599