

Column Type Load Cell Ideal for Truck Scales LCC20



Improved durability

IP68 compliant

Standard 6-core shielded cable

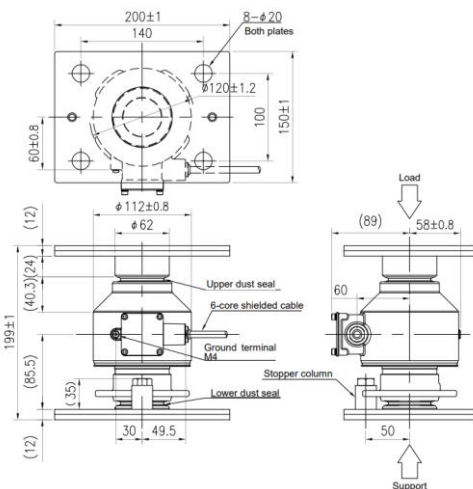
Available with or without mounting plate



Specifications

	LCC20T030KEX LCC20T030NKEX
Rated capacity (R.C.)	30 t (294.2 kN)
Rated output (R.O.)	2 mV/V±0.1%
Safe load limit	150% of R.C.
Ultimate safe overload	300% of R.C.
Combined error	0.025% of R.O.
Recommended excitation voltage	5 V to 12 V DC
Maximum excitation voltage	15 V DC
Zero balance	±1% of R.O.
Input terminal resistance	800 ± 80 Ω
Output terminal resistance	700 ± 10 Ω
Insulation resistance	5000 MΩ or greater at 50 V DC
Temperature compensation range	-10°C to +40°C
Temperature effect on zero point	0.019% of R.O./10°C Typ.
Temperature effect on span	0.010% of Load/10°C Typ.
Cable thickness/length	6-core shielded cable Φ8 / 18 m
Material	Load cell body: Alloy steel Load cell case: Stainless steel
Dustproof/waterproof	IP68 (depth: 1.5m/100hours)
Weight	Approx. 11kg (w/ mounting plate) Approx. 6kg (w/o mounting plate)

External View



Options / Accessories

AD4960-6: 6 channel summing box IP67

AX-K0162-xxM: 6 core shielded cable for load cell (5 m, 10 m, 20 m, 30 m, 50 m, 100 m)



AD4960-6



AX-K0162-xxM



Discover Precision

A&D Company, Ltd. (JAPAN)
URL: aandd.jp
A&D Engineering, Inc. (USA)
URL: andonline.com
A&D Australasia Pty Ltd. (Australia)
URL: andastralasia.com.au
A&D Instruments Ltd. (United Kingdom)
URL: andprecision.com
<German Sales Office>
URL: andprecision.com

A&D Korea Ltd. (South Korea)
URL: andk.co.kr
A&D Rus Co., Ltd. (Russia)
URL: and-rus.ru
A&D Instruments India (P) Ltd. (India)
URL: aanddindia.in
A&D Sciencetech Taiwan Ltd. (Taiwan)
URL: aandd.com.tw
A&D Instruments Thailand Ltd. (Thailand)
URL: thai.andprecision.com