

# S-Type Load Cell with USB Output LC1205-USB



- Standard USB output for easy PC connection. (Using the measurement software "WinCT-DLC")
- No additional power supply is needed (USB Bus Powered)
- Pre-calibrated for immediate use.
- User-friendly for all, no indicator expertise required.
- Versatile applications beyond industry use.



## Specifications

Model No.	LC1205	LC1205	LC1205	LC1205	LC1205	LC1205	LC1205	LC1205
	K020-U	K050-U	K100-U	K200-U	K500-U	T001A-U	T002-U	T005-U
Rated capacity	200 N	500 N	1 kN	2 kN	5 kN	10 kN	20 kN	50 kN
	(20.39 kg)	(50.99 kg)	(102.0 kg)	(203.9 kg)	(509.9 kg)	(1.020 t)	(2.039 t)	(5.099 t)
Rated output	200	500	1000	2000	5000	10000	20000	50
	±1.000[N]	±2.500[N]	±5.00[N]	±10.00[N]	±25.00[N]	±50.0[N]	±100.0[N]	±0.2500 [kN]
Safe load limit	200% of R.C.							
Ultimate safe overload	250% of R.C.			200% of R.C.				
Load cell cable	φ6mm / 3m					φ6mm / 5m		
Load cell material	Aluminum			Steel				
Weight	0.7kg		0.8kg	0.9kg		1.7kg		2.4kg

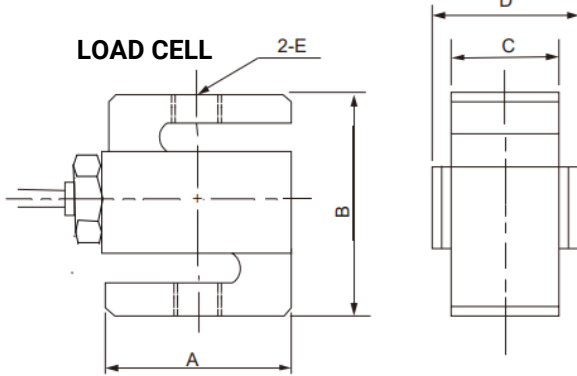
## Common Specifications

Output polarity	+: Tension, -: Compression	
Combined error	0.02 % of R.O.	
Power supply voltage	5 V DC (USB bus power)	
Average current consumption *2	60mA or less	
Zero balance	±2% of R.O.	
Temp. effect on zero	0.08% of R.O./10 °C	
Temp. effect on span	0.05% of Load/10°C	
Temp. compensation range	-10°C to 60°C	
USB cable	φ4mm / 1.2m / Type-A	
Conversion box material	Polycarbonate	
Dustproof/waterproof	Load Cell: IP54 / Conversion Box: IP65	
A/D conversion rate	100 times/s	
Digital filter	Select from None, 0.7, 1.0, 1.4, 2.0, 2.8, 4.0, 5.6, 8.0, 11.0 Hz (Initial value 1.0 Hz)	
Communications standard	USB Ver.2.0 Full Speed	
Communication settings	Baud rate	38400 bps
	Character bit length	8 bits
	Parity	Even
	Stop bit length	1 bit
	Terminator	CR LF
	Code	ASCII

# S-Type Load Cell with USB Output LC1205-USB

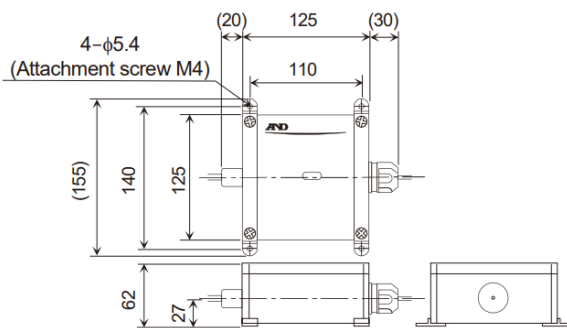


## External View



Model	A	B	C	D	E
LC1205K020-U	50	64	19	23	M6 $\times$ 1 depth 11
LC1205K050-U					
LC1205K100-U	50	64	12	16	M6 $\times$ 1 depth 110
LC1205K200-U	50	64	19	23	M12 $\times$ 1.75 depth 10
LC1205K500-U					
LC1205T001A-U	75	100	24	28	M18 $\times$ 1.5 depth 25
LC1205T002-U	75	100	24	28	M18 $\times$ 1.5 depth 22.5
LC1205T005-U	75	100	36	40	M24 $\times$ 2 depth 21

## CONVERSION BOX



## Measurement and logging software WinCT-DLC



- WinCT-DLC is program software designed exclusively for the USB-compatible digital load cell series to import measurement data into a computer.
- It allows conversion of measurement results into CSV or Excel data formats.
- WinCT-DLC is available for free download from our company's website

LC1205-USB series website

[https://link.aandd.jp/1205-usb\\_EN](https://link.aandd.jp/1205-usb_EN)



## Discover Precision

A&D Company, Ltd. (JAPAN)  
URL: aandd.jp  
A&D Engineering, Inc. (USA)  
URL: andonline.com  
A&D Australasia Pty Ltd. (Australia)  
URL: andaustoralasia.com.au  
A&D Instruments Ltd. (United Kingdom)  
URL: andprecision.com  
<German Sales Office>  
URL: andprecision.com

A&D Korea Ltd. (South Korea)  
URL: andk.co.kr  
A&D Rus Co., Ltd. (Russia)  
URL: and-rus.ru  
A&D Instruments India (P) Ltd. (India)  
URL: aanddindia.in  
A&D Scientech Taiwan Ltd. (Taiwan)  
URL: aandd.com.tw  
A&D Instruments Thailand Ltd. (Thailand)  
URL: thai.andprecision.com