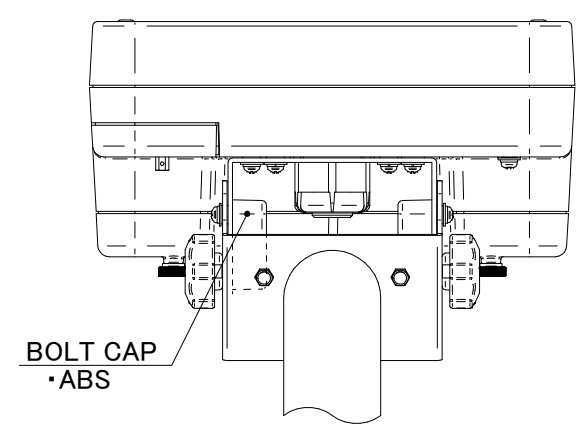
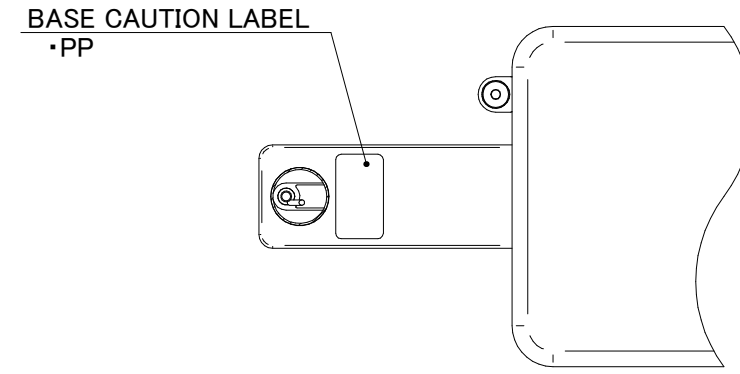
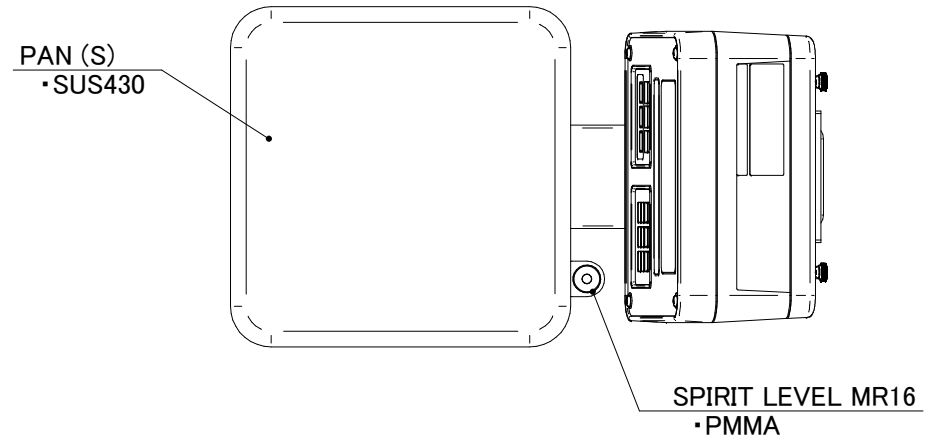


FRONT CASE
REAR CASE
BATTERY COVER
CAL COVER
•ABS+CF (Carbon Fiber)

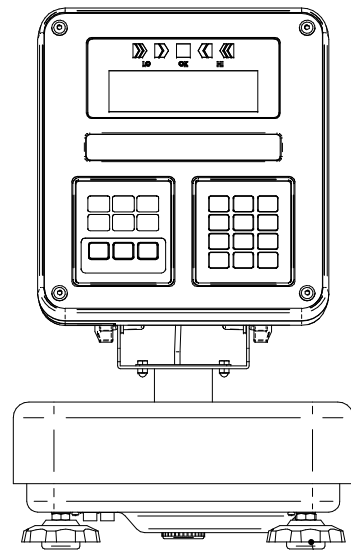


- HW-200KCEP
- HW-100KCEP
- HW-60KCEP
- HW-10KCEP
- HV-200KCEP
- HV-60KCEP
- HV-15KCEP

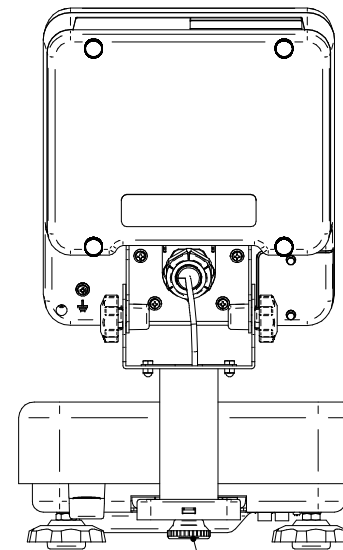
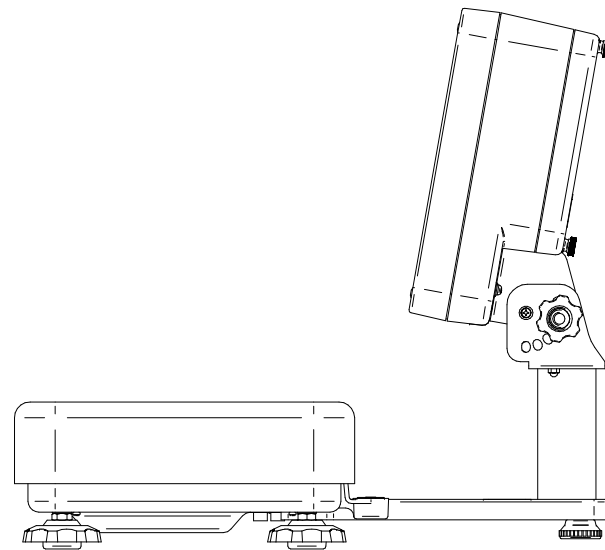
					MODEL	HW-15KCEP
					PARTS LIST	
		SCALE	TOLERANCE	MATERIAL	TREATMENT	Exterior parts material
		APPROVED			REGISTERED	TITLE
		CHECKED				STOCK No.
		DESIGN				DRG. No.
		DRAWN				
00	2020.03.16	A&D Company, Limited			APPLIED TO DATE	
SYMBOL	DATE					



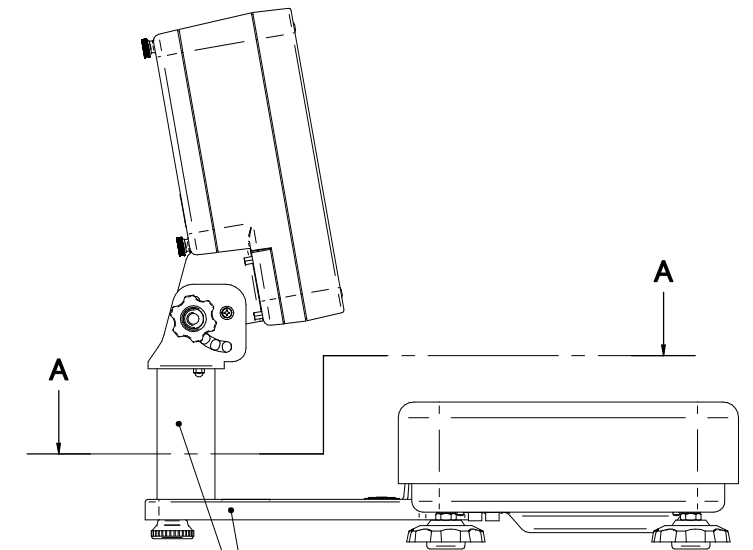
Section A-A



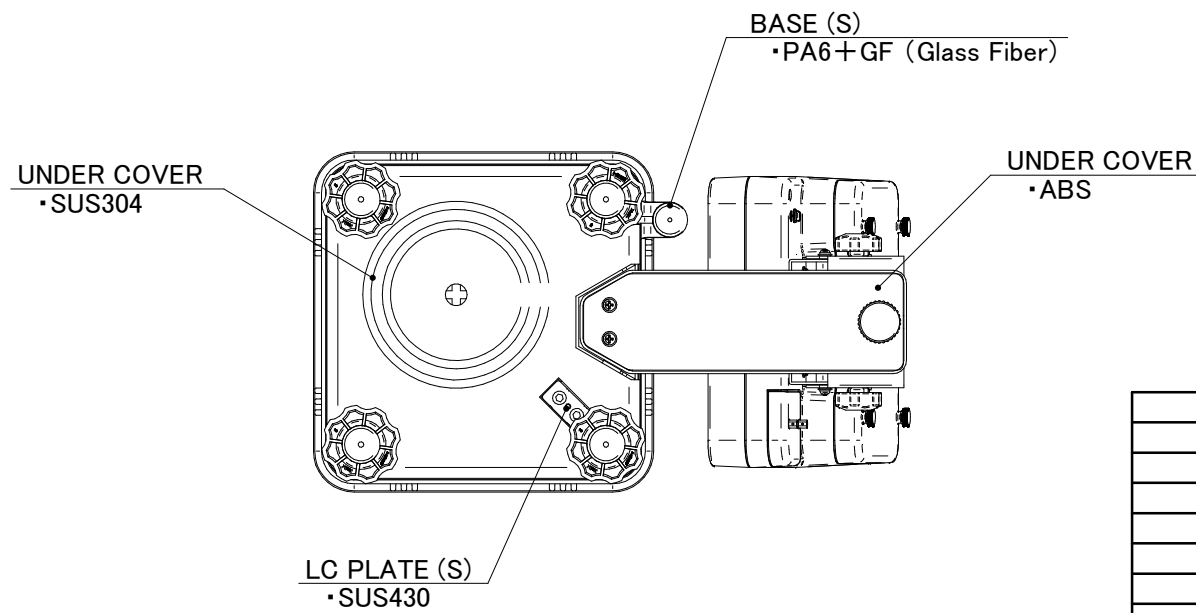
LEVEL FOOT M8
·TPE+PP



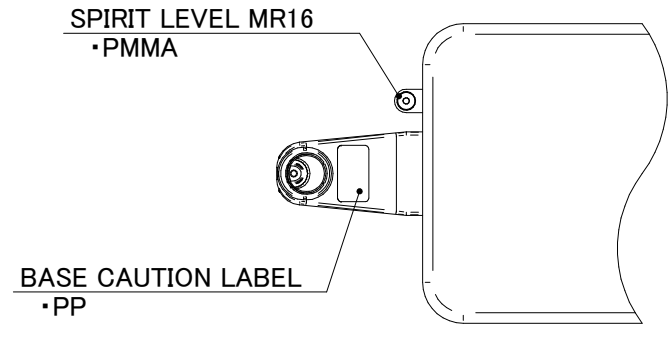
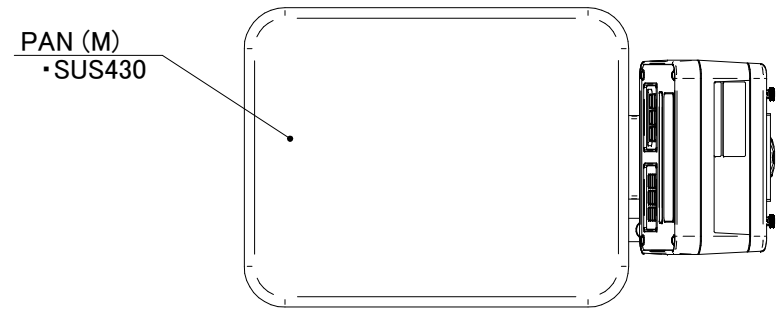
LEVEL FOOT
·PVC



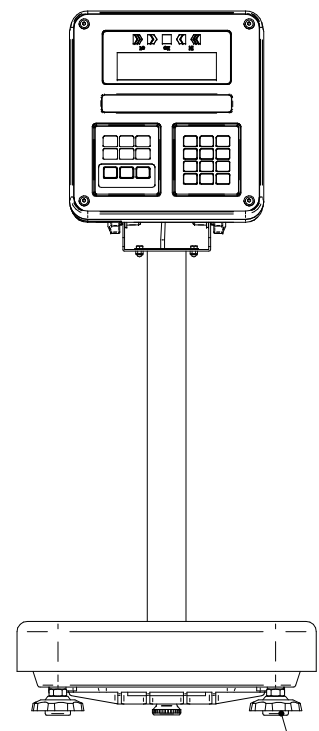
POLE BASE (S)
·SUS304



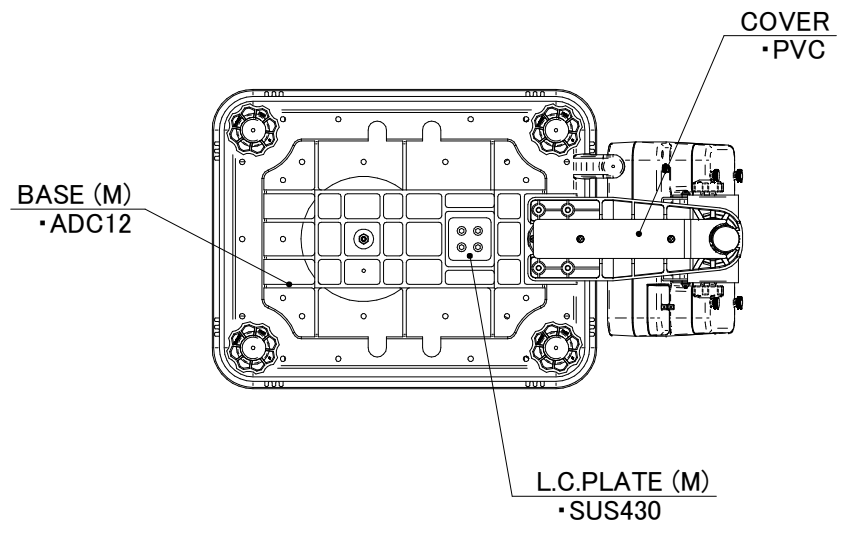
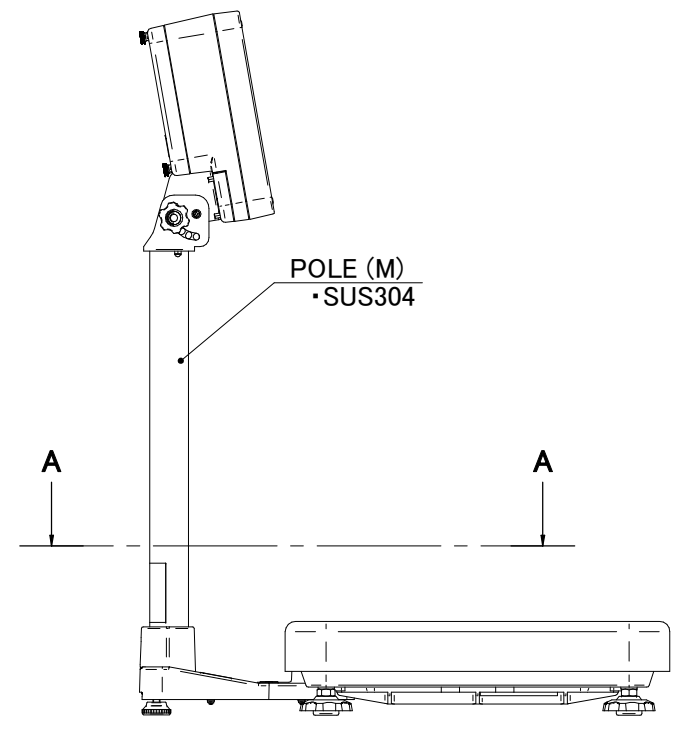
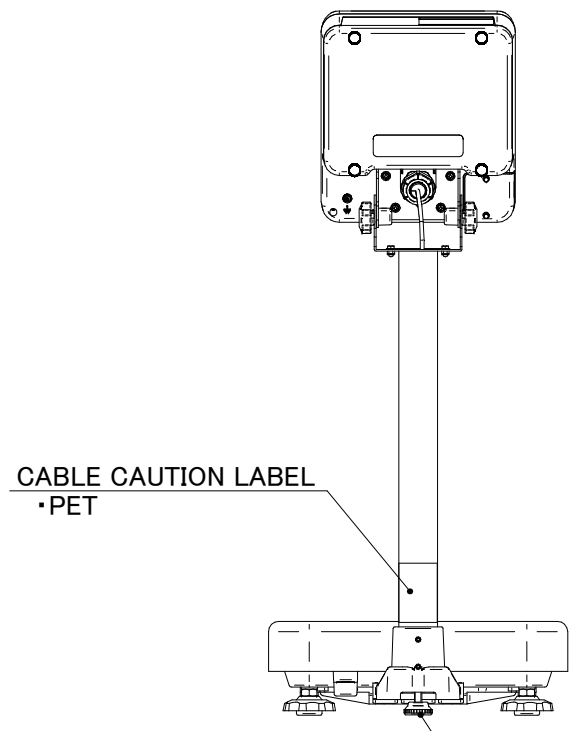
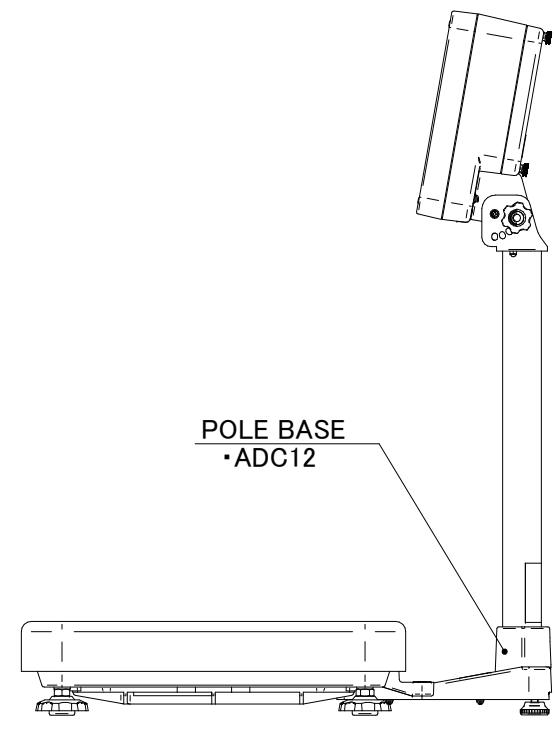
						MODEL	HW-10KCEP
						MODEL	HV-15KCEP
						PARTS LIST	
		SCALE	TOLERANCE	MATERIAL	TREATMENT		
		APPROVED			REGISTERED	TITLE	Exterior parts material
		CHECKED				STOCK No.	
		DESIGN				DRG. No.	
		DRAWN					
00	2020.03.16						
SYMBOL	DATE			A&D Company, Limited		APPLIED TO DATE	



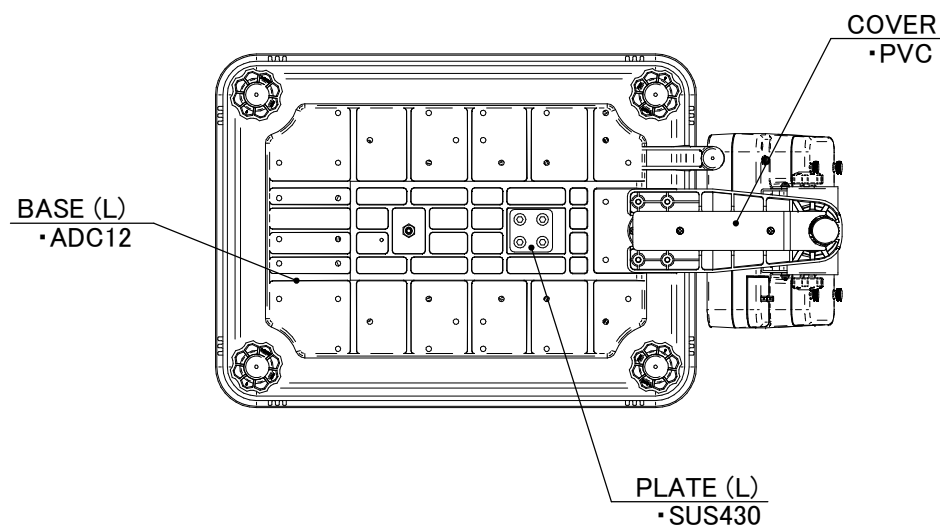
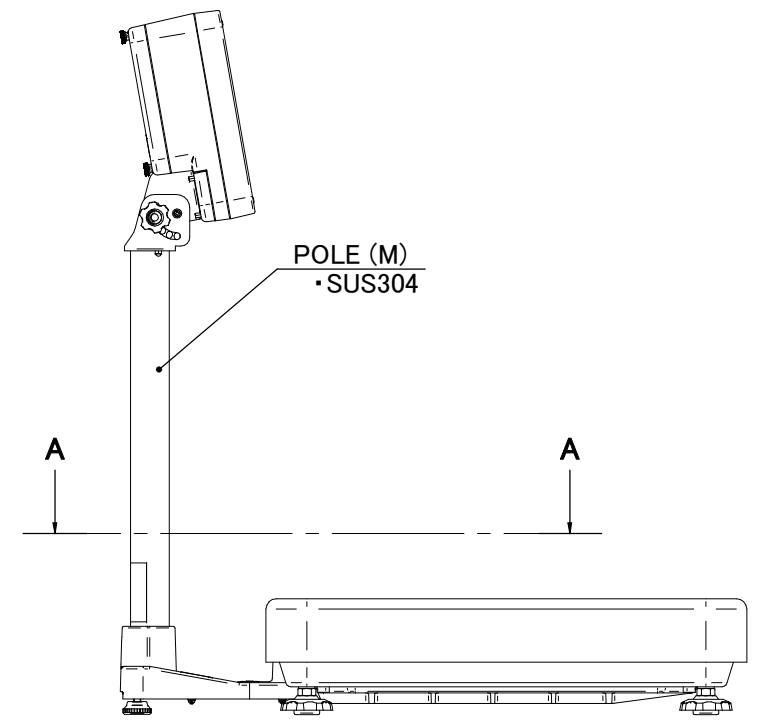
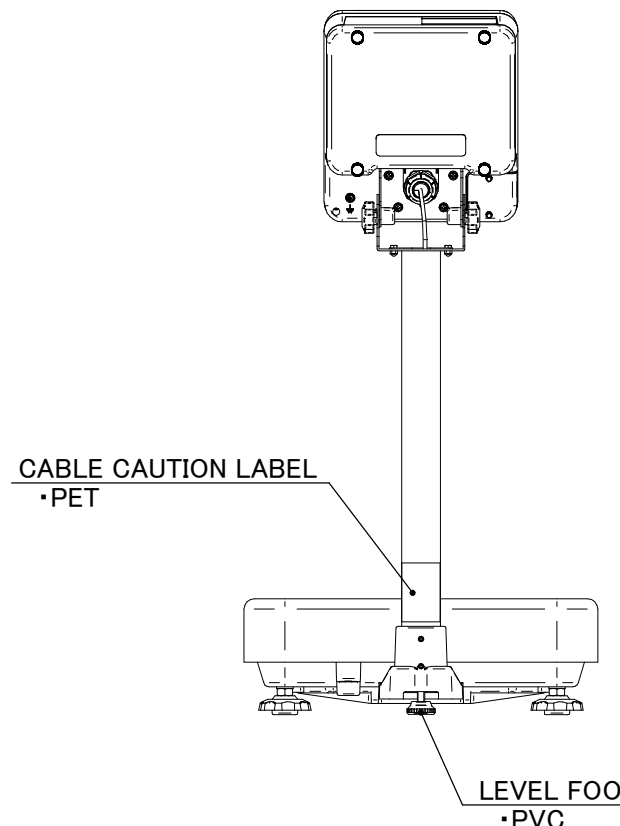
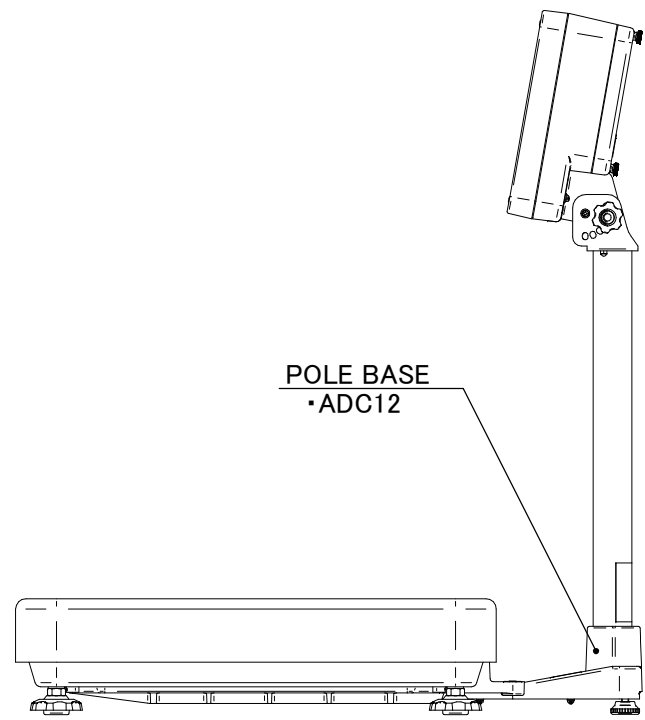
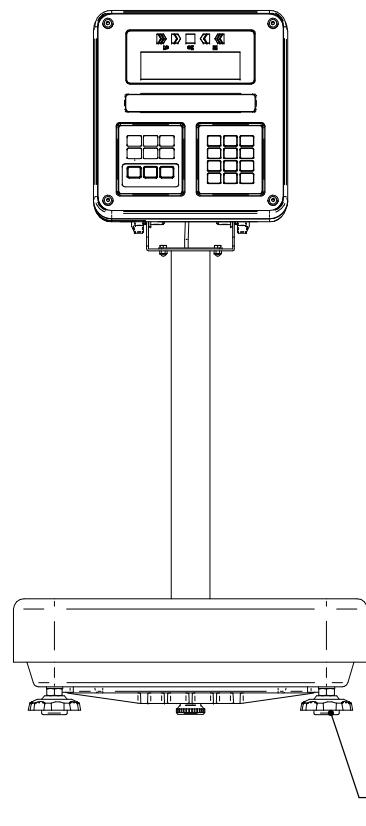
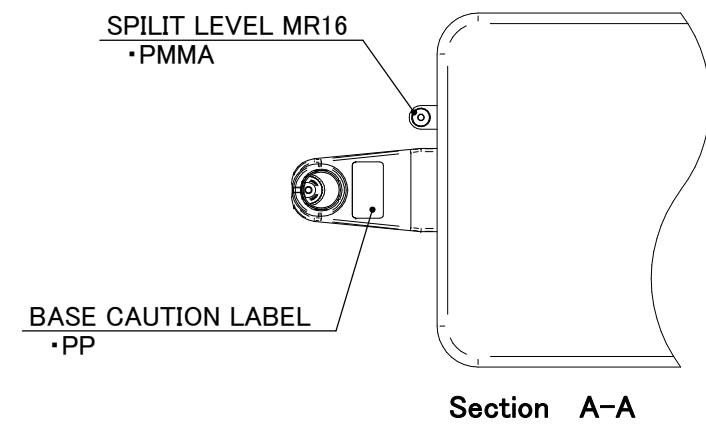
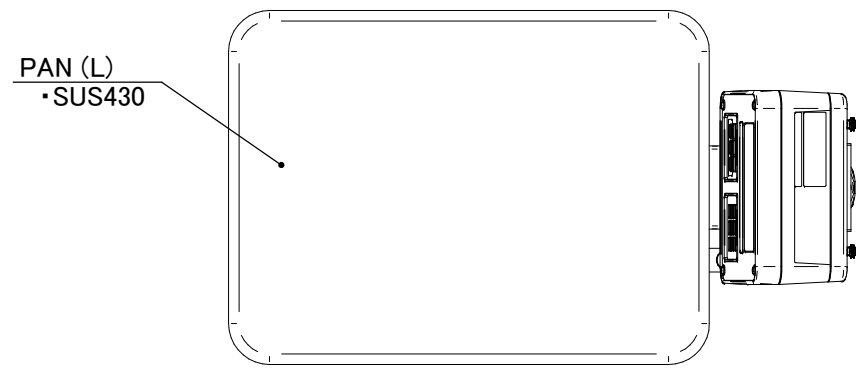
Section A-A



LEVEL FOOT M10
•TPE+PP



						MODEL	HW-60KCEP
						MODEL	HV-60KCEP
		SCALE	TOLERANCE	MATERIAL	TREATMENT	PARTS LIST	
		APPROVED			REGISTERED	TITLE	Exterior parts material
		CHECKED				STOCK No.	
		DESIGN				DRG. No.	
		DRAWN					
00	2020.03.16	A&D Company, Limited			APPLIED TO DATE		
SYMBOL	DATE						



MODEL	HW-200KCEP
	HW-100KCEP
	HV-200KCEP

		SCALE	TOLERANCE	MATERIAL	TREATMENT			PARTS LIST	
		APPROVED			REGISTERED	TITLE		Exterior parts material	
		CHECKED					STOCK No.		
		DESIGN					DRG. No.		
		DRAWN							
00	2020.03.16	A&D Company, Limited				APPLIED TO DATE			
SYMBOL	DATE								