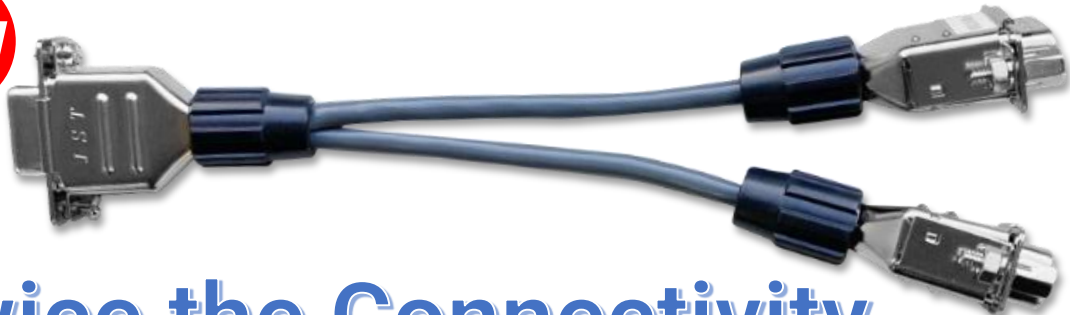


# RS-232C Splitter Cable AX-K04454-010

**A&D**  
A&D Weighing

**NEW**



## Twice the Connectivity, Double the Efficiency



# Simultaneous connection possible with printers and RS-232C devices (PCs and PLCs, etc.)!



**Balances/Scales\***

\* Requires AX-KO5363-30 for Dsub-25 pin RS-232C connectors.

D-Sub 9-pin male (for PC)

D-Sub 9-pin female

D-Sub 9-pin male (for printer)

**RS-232C Splitter Cable (AX-KO4454-010)**

➤ **Unidirectional Communication Only (No Command Sending from Printer)**



**Printer (with RS-232C input)**

➤ **Bidirectional Communication (Commands Can Be Sent from PC)**

Bluetooth® Dongle for PC **AD-8541-PC-JA**

RS-232C to Bluetooth® Converter **AD8541-SCALE-JA**

or

USB Converter **AX-USB-9P**

or

RS-232C Cable D-sub 9 pin **AX-KO3571-100** (Standard Included with AD-1688)

or

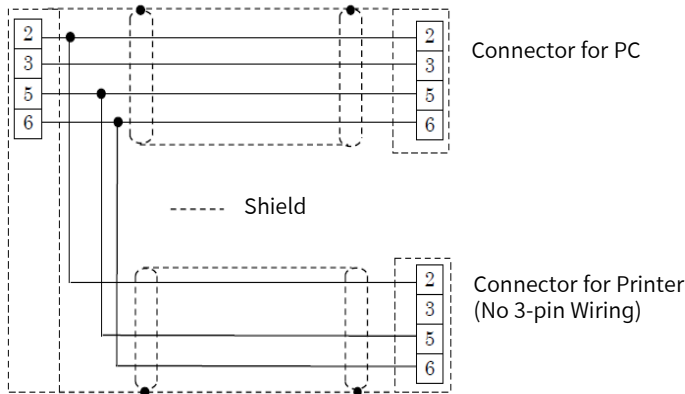
Quick USB Adapter **AD-8527**

or

**PLC (with RS-232C input)**

Connection is also possible via various controllers such as **AD-8923CC, AD-8551R, and AD8552-EIP**

## ■ Wiring Diagram



## Discover Precision

A&D Company, Ltd. (JAPAN)  
 URL: aandd.jp  
 A&D Engineering, Inc. (USA)  
 URL: andonline.com  
 A&D Australasia Pty Ltd. (Australia)  
 URL: andaustrialasia.com.au  
 A&D Instruments Ltd. (United Kingdom)  
 URL: andprecision.com  
 <German Sales Office>  
 URL: andprecision.com

A&D Korea Ltd. (South Korea)  
 URL: andk.co.kr  
 A&D Rus Co., Ltd. (Russia)  
 URL: and-rus.ru  
 A&D Instruments India (P) Ltd. (India)  
 URL: aanddindia.in  
 A&D Sciencetech Taiwan Ltd. (Taiwan)  
 URL: aandd.com.tw  
 A&D Instruments Thailand Ltd. (Thailand)  
 URL: thai.andprecision.com