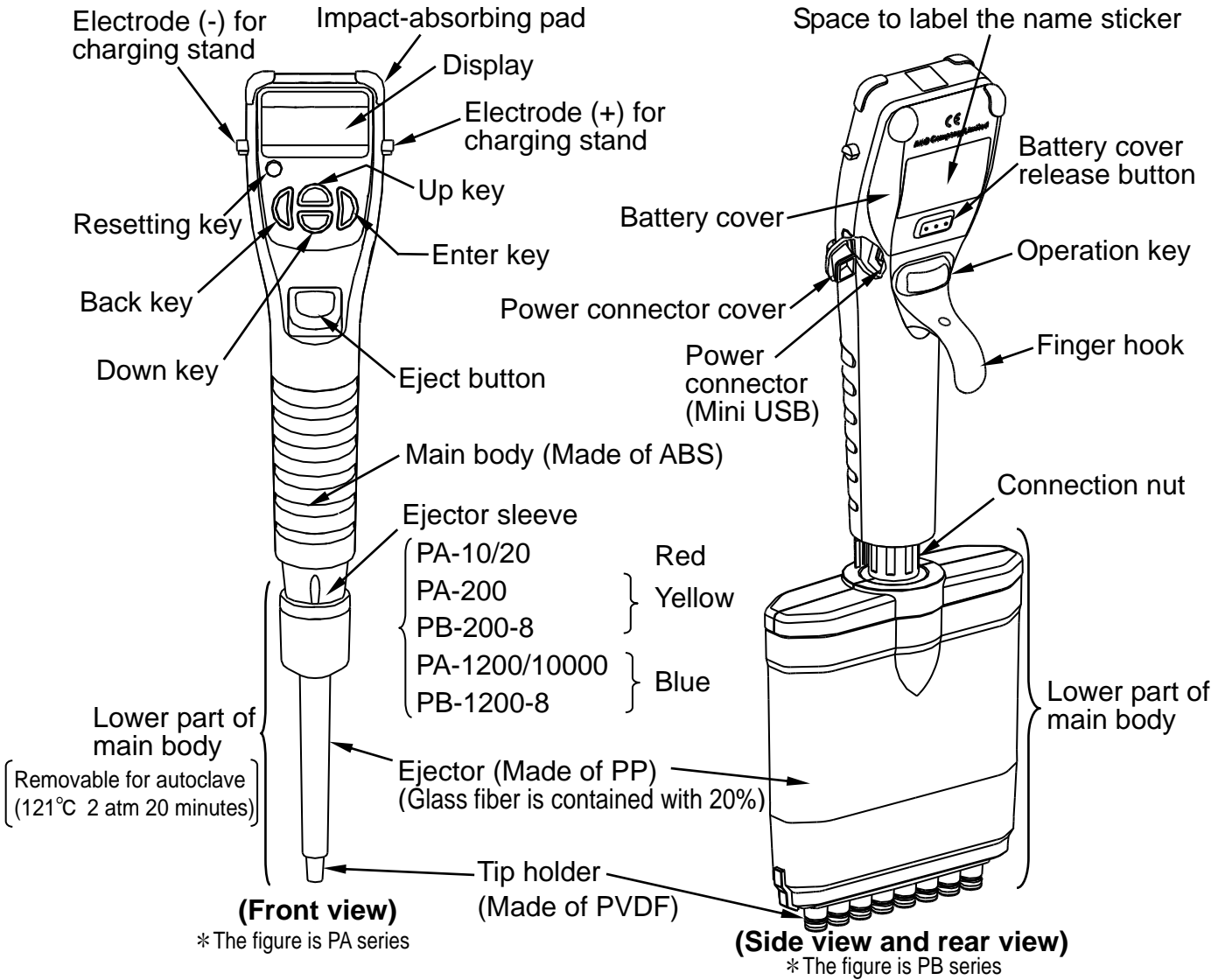


# QUICK OPERATION GUIDE

## SINGLE CHANNEL ELECTRONIC PIPETTE PA-10 / 20 / 200 / 1200 / 10000

## MULTI CHANNEL ELECTRONIC PIPETTE PB-200-8 / 1200-8



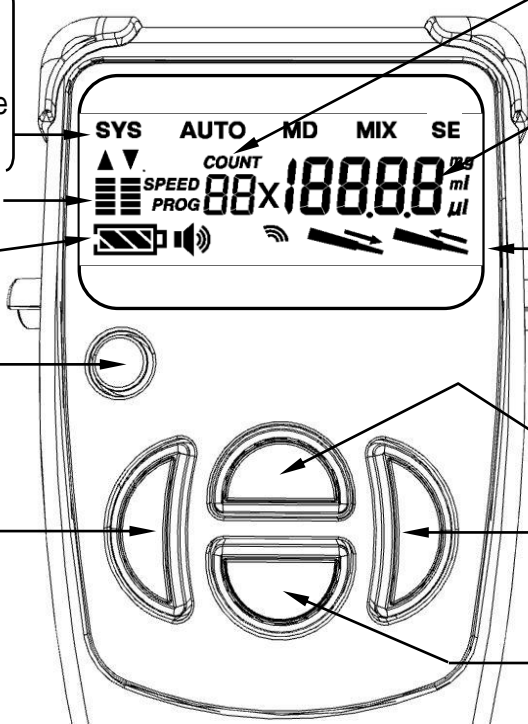
- SYS** System setting mode
- AUTO** Standard mode
- MD** Multiple dispensing mode
- MIX** Mixing mode

Aspirating and dispensing

Battery mark

Resetting key

Back key



Display of number and a number of times

Pipetting amount display

Buzzer mark

Blowout mark

Reverse operation mark

Notice mark

When illuminated:  
User CAL operation  
When flashing:  
When selecting the mg unit

Up key

Enter key

Down key

## Example of the function and operation

(The following example is when using PA-200.)

### Standard mode (AUTO)

Example: When dispensing with the dispensing volume of 100 $\mu$ L

(Aspirating) (Dispensing) (Blowout operation)

### Multiple dispensing mode (MD)

Example: When multiple dispensing of 40 $\mu$ L  $\times$  3 times = 120 $\mu$ L

(Dispensing: 40 $\mu$ L) (Dispensing: 40 $\mu$ L) (Dispensing: 40 $\mu$ L) (Reverse operation)

### Mixing mode (MIX)

Example: When mixing with 100 $\mu$ L five times

(05) (100 $\mu$ L) (Mixing operation)

### System setting mode (SYS)

Example: When setting the buzzer to OFF

### Volume adjustment function ( $\mu$ L adjustment function)

Example: When adjusting the dispensing amount to 190 $\mu$ L

(190 $\mu$ L)

### Initializing the volume adjustment

Example: When initializing the dispensing amount adjusted

(y)

### Dispensing in a unit of weight (in mg unit)

Example: When changing the unit of the dispensing amount to a unit of weight

(mg)

### Weight adjustment function (mg adjustment function)

Example: When adjusting the dispensing amount to 190mg

(190mg)

### Additional contents

In operating procedure on this page,

means Back key, means UP/Down key, means Enter key and means Operation key. Press these keys when operating.