

AX-ST-SUS Stainless Steel Stand Fixture Instruction Manual

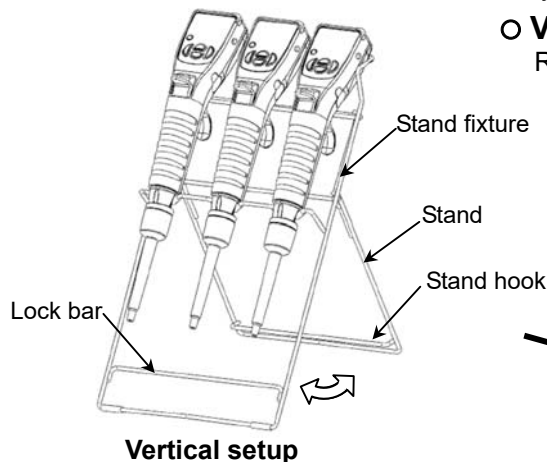
1. Using the stand

• Setting up the stand fixture

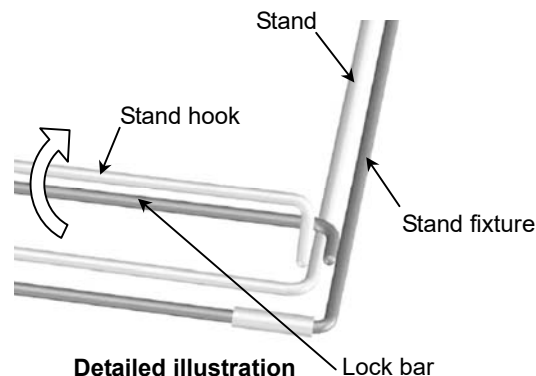
The stand fixture can be used in two ways: to hold pipettes vertically or horizontally.

○ Vertical setup

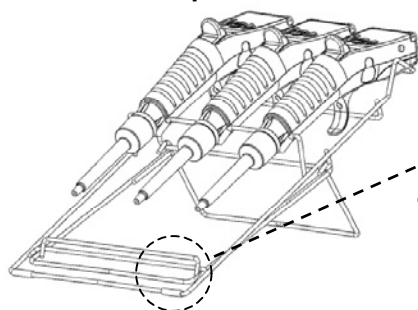
Release the stand hook from the lock bar to open the stand.



Vertical setup



Detailed illustration



Horizontal setup

○ Horizontal setup

Close the stand in the direction of the arrow (see the detailed illustration) and hook the stand hook into the lock bar to secure the stand.

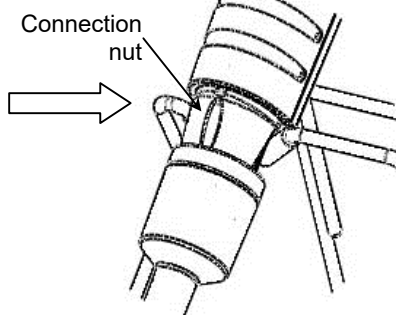
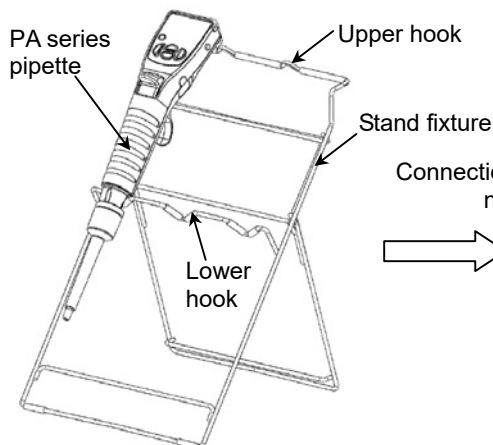
Be sure to secure the stand with the lock bar.

An unsecured stand may cause the stand fixture to collapse.

• Placing a pipette on the stand fixture

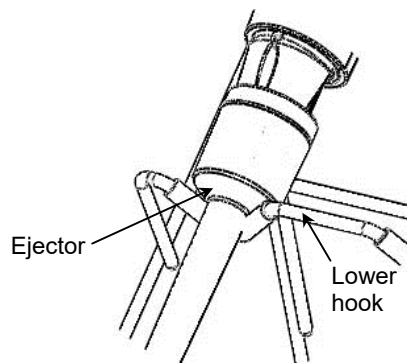
Place a pipette on the stand fixture with the connection nut resting on the lower hook.

Note: Do not place a pipette with the ejector resting on the lower hook. The pipette may fall from the fixture.



Do

Do not place a pipette with the ejector resting on the lower hook.



Do not

2. Specifications

Mass	Approx. 170 g
Dimensions	Vertical setup: 167 (W) x 187 (D) x 294 (H) mm / Horizontal setup: 167 (W) x 318 (D) x 114 (H) mm
Material	Stand fixture: Stainless steel (SUS304) / Non-slip tube: (black) Urethane, (clear) Silicon