

# Precision Health Scale

## UC-321PBT

*Instruction Manual*

English

*Manuel d'instructions*

Français

*Manual de Instrucciones*

Español

*Manuale di Istruzioni*

Italiano

*Bedienungsanleitung*

Deutsch

*Gebruiksaanwijzing*

Nederlands

*使用手册*

中文

---

# Contents

---

---

## Before Use

Precautions -----	1
Scale Components -----	2
Display Symbols -----	3
Installing (or Replacing) Batteries -----	3

## Operations

Basic Measurement -----	4
Measuring Your Weight -----	4
Measuring an Infant or Small Animal -----	5
Measuring Your Weight on a Carpet -----	6

## References

Specifications -----	7
Maintaining the Scale -----	7
How the Wireless Connection Works -----	8
Before Requesting Service -----	8

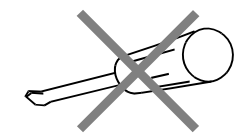
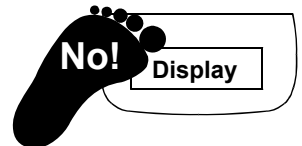
---

# Precautions

---

---

- Please read this booklet before using your scale.
- Place your scale on a solid level surface, such as tile, wood, or laminate flooring.
- Do not place your scale on a soft, wet or slippery floor.  
If the scale must be used on a carpet, be sure to attach the plastic add-on feet as shown on Page 6.
- Your scale contains delicate, high-precision parts. Avoid extremes in temperature, humidity, direct sunlight, shock, moisture and dust.
- Do not step on your scale with your feet wet. Be sure that your feet are dry to prevent slipping or serious injury.
- Step on the center portion of your scale gently.
- Do not step on the display window.
- Holding the measurement switch for extended periods will shorten battery life.

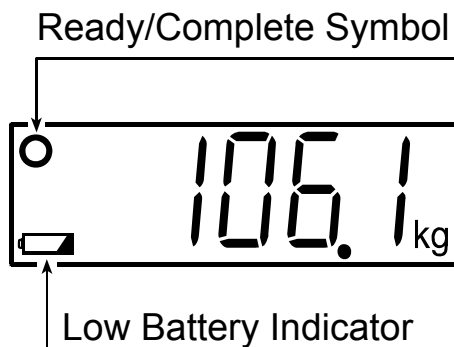


## Indications for Use

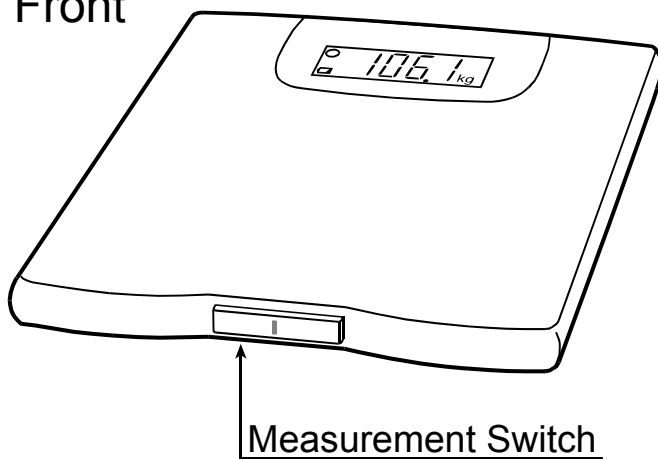
- This scale is designed for personal use.

# Scale Components

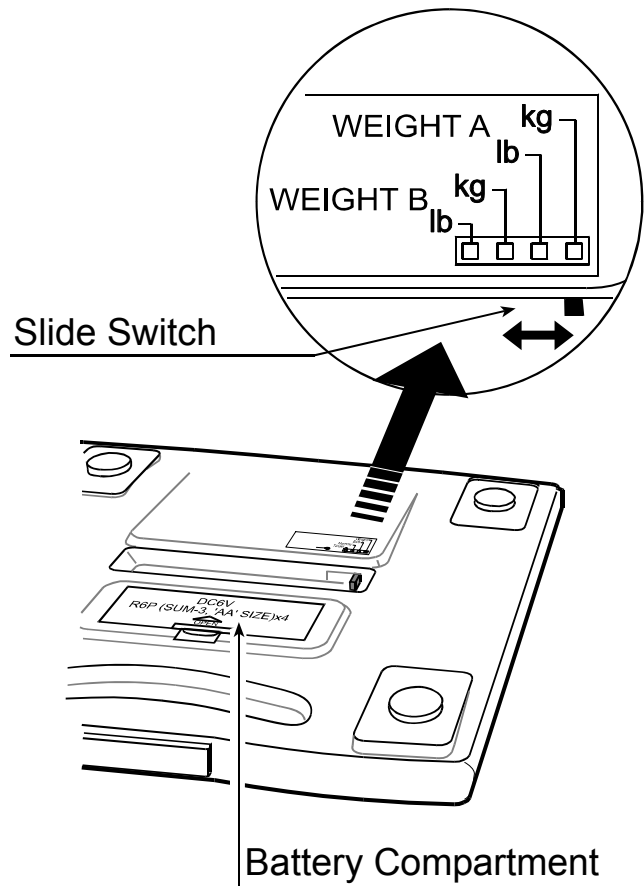
## Display





## Front





## Back




- The following measurements can be selected by the slide switch and are classified into two categories - WEIGHT A and WEIGHT B. Within WEIGHT A and WEIGHT B, you have a choice to select and have your weight displayed in kg or lb. The difference between WEIGHT A and WEIGHT B is the speed of communication from the data port to another device (e.g. modem, printer, telephone). Please follow instructions from your telemonitoring company to select the proper position on the slide switch.
- The scale has an “Automatic power-off” function.
  - If “0.0 kg /0.0 lb” and the Ready/Complete symbol  are displayed about forty-five seconds, the scale will automatically turn off.
  - If the  symbol and the weight are displayed about fifteen seconds, the scale will automatically turn off.

## Display Symbols

	Ready/Complete symbol. This symbol is displayed when the measurement display is stable.
	Low battery indicator. If this symbol is displayed, replace all four batteries with new ones.

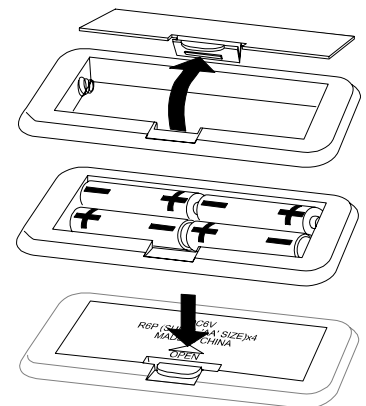
## Installing (or Replacing) Batteries

### Caution

- Insert each battery with its positive (+) and negative (-) terminals properly aligned with the corresponding symbols in the battery compartment.
- Improper installation of the batteries may cause battery leakage.
- Replace all four batteries with new ones, when the  symbol is displayed.
- Do not mix new and used batteries. It may cause damage to the scale or shorten battery life.
- The battery life is dependant upon the environmental temperature, battery type and usage.
- Remove the batteries from the battery compartment, when the scale is not to be used for a long time. They may leak and damage the scale.

### Steps for Installing (or Replacing) Batteries

1. Remove the battery compartment cover on the underside of the scale by gently pushing the hook in the direction indicated by the arrow and lifting the cover backward.
2. Install four new batteries with the positive (+) and negative (-) terminals properly aligned with the corresponding symbols in the battery compartment.
3. Replace the cover by sliding it into the compartment and gently pressing into place.



# Basic Measurement

## Measuring Your Weight

1. **Set the slide switch to the correct mode.**

Example: Set the slide switch to [WEIGHT B].

Set the slide switch to the correct mode



2. **Press the measurement switch gently.**

All display segments are displayed for several seconds.

Press the measurement switch



Ready/Complete symbol

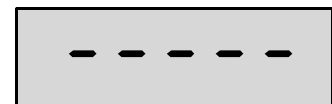
3. **Wait until the ○ symbol is displayed.**

Wait until "0.0 kg /0.0 lb" and the Ready/Complete symbol ○ are displayed.

Note: If "0.0 kg /0.0 lb" and the Ready/Complete symbol ○ are displayed about forty-five seconds, the scale will automatically turn off.



Step on the scale



4. **Step on the scale gently and stand still during the measurement.**

You will see the display changed to dashes. Please remain still as much as you can.

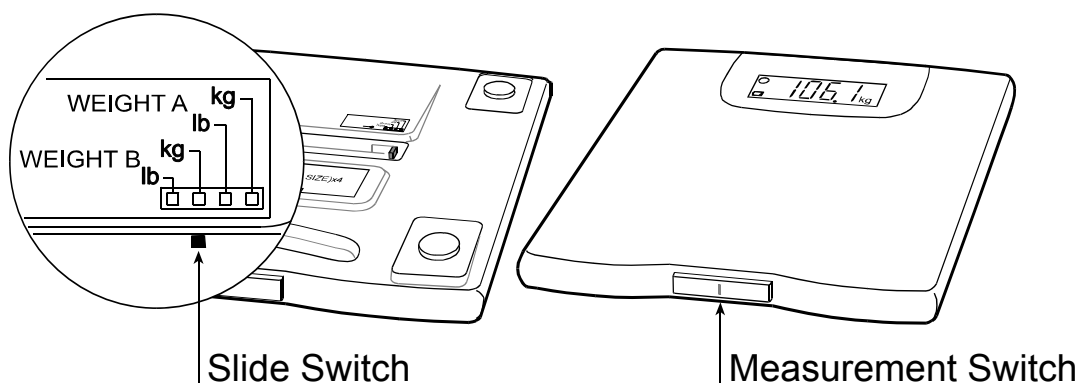


5. **Your weight is displayed after the ○ symbol is displayed.**

After about fifteen seconds, the scale will automatically turn off.

Step off the scale

6. **Step off the scale.**



# Basic Measurement

## Measuring an Infant or Small Animal

**1. Set the slide switch to the correct mode.**


Example: Set the slide switch to [WEIGHT B].

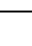
**2. Press the measurement switch gently and step on the scale.**


All display segments are displayed for several seconds.

Step on the scale without any baby or animal in your arms before “0.0 kg /0.0 lb” is displayed.

**3. Have the infant or the animal placed in your arms**

Remain on the scale and have the infant or the animal placed securely in your arms within ten seconds after the scale displays “0.0 kg /0.0 lb” and the Ready/Complete symbol .

Remain still during the measurement until the Ready/Complete symbol  is displayed. You will see the display changed to dashes. Please remain still as much as you can.

Note: If “0.0 kg /0.0 lb” and the Ready/Complete symbol  are displayed about forty-five seconds, the scale will automatically turn off.

**4. The weight of the infant or the animal can be read after the  symbol is displayed.**

After about fifteen seconds, the scale will automatically turn off.

**5. Step off the scale.**

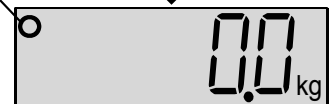
Set the slide switch to the correct mode



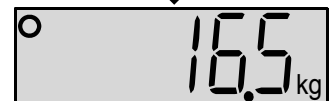
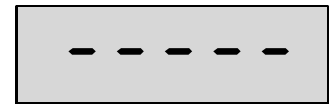
Press the measurement switch Step on the scale



Ready/Complete symbol



Have the infant or the animal placed in your arms



Step off the scale

---

# Measuring Your Weight on a Carpet

---

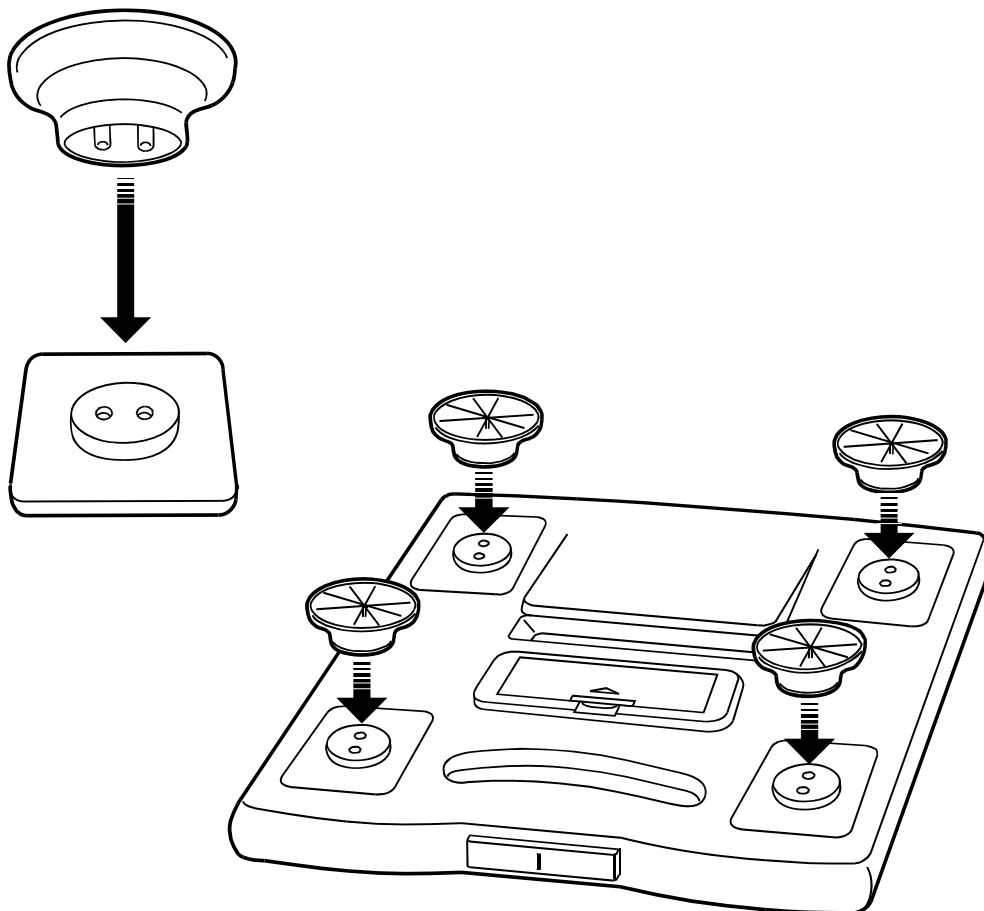
Place the scale on a solid level surface, such as tile, wood, or laminate flooring. If the scale must be used on a carpet, be sure to attach the plastic add-on feet.

## Steps for Attaching the Add-on Feet

1. Each add-on foot has two pins. Match those pins to the holes on the scale leg and insert firmly.
2. Attach add-on feet on all four legs.

## Notes

- Please be careful not to fall when using the add-on feet.
- We recommend using this scale on a solid and level surface.



---

## Specifications

---

Digital display	Liquid crystal display, 25 mm character height
Maximum capacity	200 kg / 450 lb
Minimum display	0.1 kg / 0.2 lb
Wireless communication	WML-40AH (Mitsumi Electronics Co. Ltd.)
Power source	Four type AA batteries (R6P or LR6, 1.5 volt x 4)
Battery life	Approximately 1000 measurements
Accessories	Add-on feet (4), Instruction manual, Batteries (4)

Specifications are subject to change without prior notice or any obligation on the part of the manufacturer.

## Compliance with European Directives

**CE** The scale complies with the statutory EMC (Electromagnetic Compatibility) directive 2004/108/EC. The WML-40AH is approved in accordance to R&TTE directive transmitter module marked by **CE 0678 ①**, manufactured by MITSUMI incorporated to OEM product.

**Notes: Indoor use only. The displayed value may be adversely affected under extreme electromagnetic influences.**

## Compliance with FCC Rules

The scale complies with part 15 of the FCC rules and contains the FCC ID POOWML-C40 .

## Compliance with Industry Canada

IC: 4250A-WMLC40.

---

## Maintaining the Scale

---

- Clean the scale with a soft dry cloth or a cloth moistened with water and a mild detergent. Never use alcohol, benzine, thinner or other harsh chemicals to clean the scale.
- Remove the batteries from the battery compartment, when the scale is not going to be used for a long time.





**A&D Company, Limited**

1-243 Asahi, Kitamoto-shi, Saitama 364-8585 JAPAN  
Telephone: [81] (48) 593-1111 Fax: [81] (48) 593-1119

**A&D INSTRUMENTS LTD.**

Unit 24/26 Blacklands Way, Abingdon Business Park, Abingdon, Oxfordshire OX14 1DY United Kingdom  
Telephone: [44] (1235) 550420 Fax: [44] (1235) 550485

**A&D ENGINEERING, INC.**

1756 Automation Parkway, San Jose, California 95131 U.S.A.  
Telephone: [1] (408) 263-5333 Fax: [1] (408)263-0119

**A&D Australasia Pty Ltd.**

32 Dew Street, Thebarton, South Australia 5031 AUSTRALIA  
Telephone: [61] (8) 8301-8100 Fax: [61] (8) 8352-7409

**A&D KOREA Limited**

한국에이.엔.디(주)  
대한민국 서울시 영등포구 여의도동 36-2 맨하탄 B/D 8층  
( 8th Floor, Manhattan Bldg. 36-2 Yoido-dong, Youngdeungpo-ku, Seoul, KOREA )  
전화: [82] (2) 780-4101 팩스: [82] (2) 782-4280