

AND

Digital Blood Pressure Monitor

Model UA-767 *Plus* BT

Instruction Manual
Original

ENGLISH

Manuel d'instructions
Traduction

FRANÇAIS

Manual de Instrucciones
Traducción

ESPAÑOL

Manuale di Istruzioni
Traduzione

ITALIANO

Bedienungsanleitung
Übersetzung

DEUTSCH

Gebruiksaanwijzing
Vertaling

Nederland

使用手冊
翻譯

中文

1WMPD4001357D

Contents

Dear Customers	1
Preliminary Remarks	2
Precautions	2
Parts Identification	4
Symbols	5
Using the Monitor	6
Installing / Changing the Batteries	6
Connecting the Air Hose	6
Connecting the AC Adapter	6
Selecting the Correct Cuff Size	7
Applying the Arm Cuff	8
How to Take Proper Measurements	8
Measurement	8
After Measurement	8
Measurements	9
Normal Measurement	9
Measurement with the Desired Systolic Pressure	10
Notes for Proper Measurement	10
What is an Irregular Heartbeat	11
Pressure Bar Indicator	11
How the Wireless Connection Works	11
About Blood Pressure	12
What is Blood Pressure?	12
What is Hypertension and How is it Controlled?	12
Why Measure Blood Pressure at Home?	12
WHO Blood Pressure Classification	12
Blood Pressure Variations	12
Troubleshooting	13
Maintenance	14
Technical Data	14

Dear Customers

Congratulations on purchasing a state-of-the-art A&D blood pressure monitor, one of the most advanced monitors available today. Designed for ease of use and accuracy, this device will facilitate your daily blood pressure regimen.

We recommend that you read through this manual carefully before using the device for the first time.

Preliminary Remarks

- This device conforms to the European Directive 93/42 EEC for Medical Products. This is made evident by the **CE**₀₁₂₃ mark of conformity. (0123: The reference number to the involved notified body)
- The device complies with the statutory EMC (Electromagnetic Compatibility) directive 89/336/EEC. The WML-40AH is approved in accordance to R&TTE directive transmitter module marked by **CE**₀₆₇₈ **!**, manufactured by MITSUMI incorporated to OEM product.
- The device complies with part 15 of the FCC rules and contains the FCC ID POOWML-C40.
- Compliance with Industry Canada. IC: 4250A-WMLC40.
- The device is designed for use on adults only, not newborns or infants.
- Environment for use: The device is for use in the home healthcare environment.
- This device is designed to measure blood pressure and pulse rate of people for diagnosis.

Precautions

- Precision components are used in this device. Extreme temperature, humidity, direct sunlight, shock or dust should be avoided.
- Clean the device and cuff with a dry, soft cloth or a cloth dampened with water and a neutral detergent. Never use alcohol, benzene, thinner or other harsh chemicals to clean the device or cuff.
- Avoid tightly folding the cuff or storing the hose tightly twisted for long periods, as such treatment may shorten the life of the components.
- The device and cuff are not water resistant. Prevent rain, sweat and water from soiling the device and cuff.
- Measurements may be affected if the device is used near a television, microwave oven, cellular telephone, X-ray or other devices that emit electromagnetic waves.
- Used equipment, parts and batteries are not treated as ordinary household waste, and must be disposed of according to the applicable local regulations.
- When the AC adapter is used, make sure that the AC adapter can be readily removed from the electrical outlet when necessary.
- When reusing the device, confirm that the device is clean.
- Do not modify the device. It may cause accidents or damage to the device.

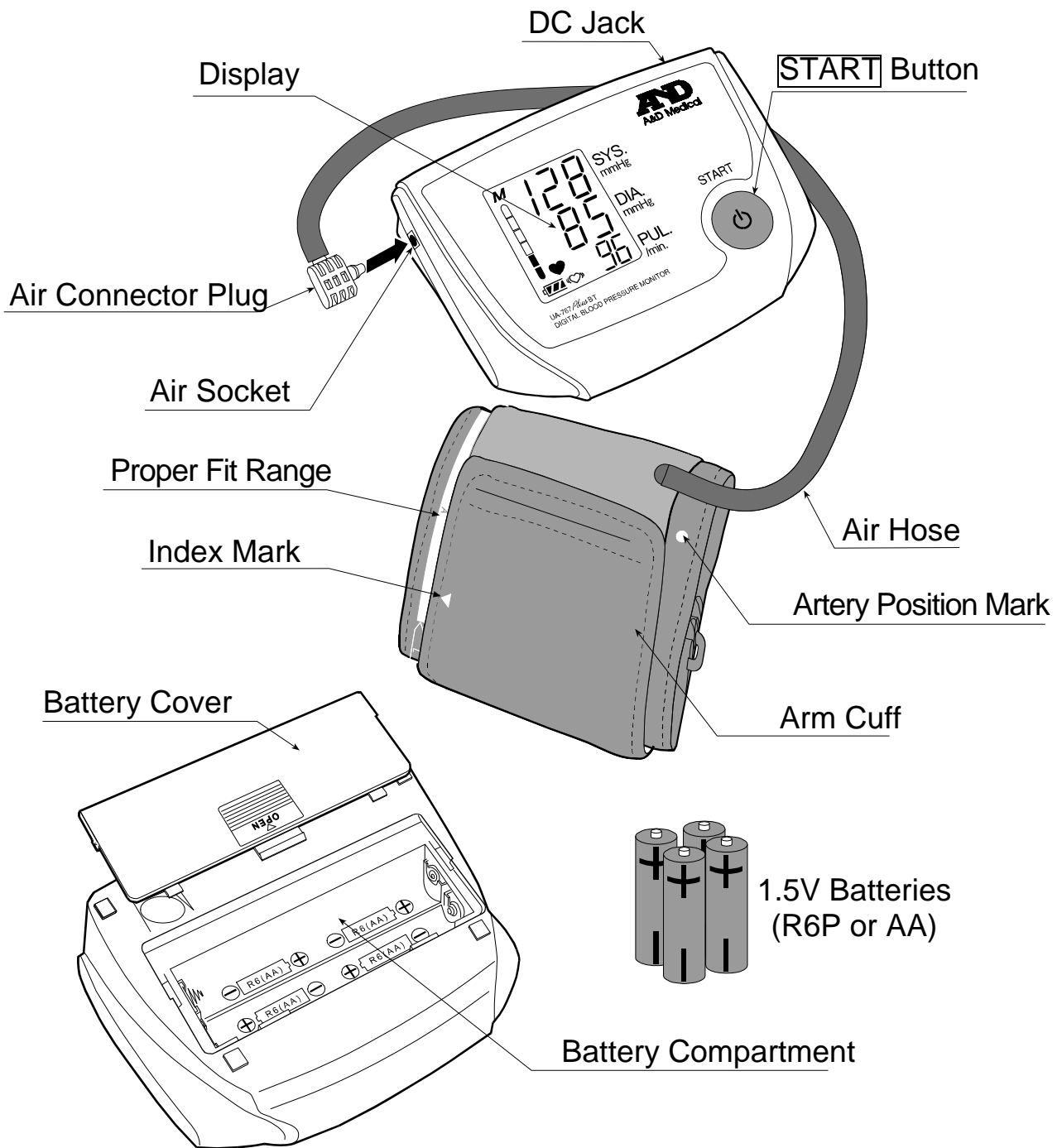
- To measure blood pressure, the arm must be squeezed by the cuff hard enough to temporarily stop blood flow through the artery. This may cause pain, numbness or a temporary red mark to the arm. This condition will appear especially when measurement is repeated successively. Any pain, numbness, or red marks will disappear with time.

Contraindications

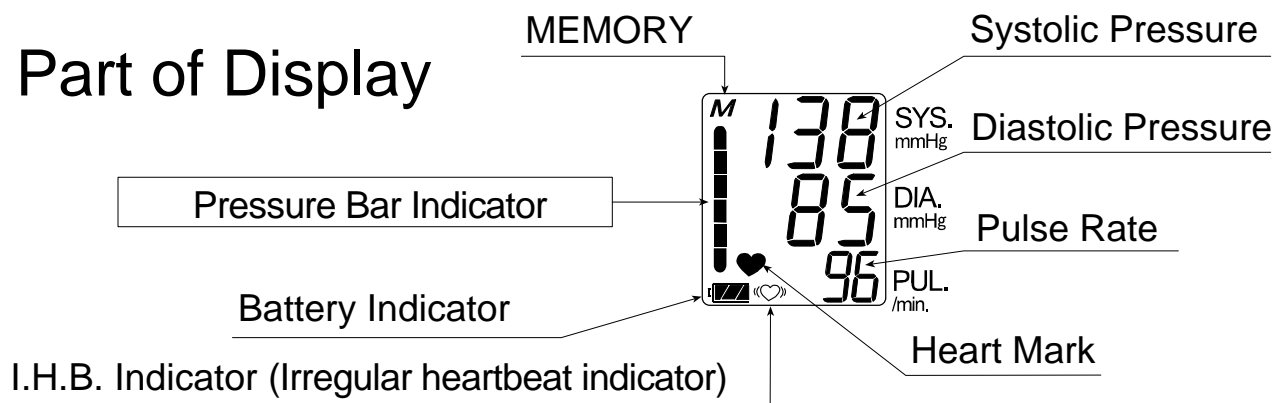
The following are precautions for proper use of the device.

- Do not apply the cuff on an arm with another medical electrical equipment attached. The equipment may not function properly.
- People who have a severe circulatory deficit in the arm must consult a doctor before using the device, to avoid medical problems.
- Do not self-diagnose the measurement results and start treatment by yourself. Always consult your doctor for evaluation of the results and treatment.
- Do not apply the cuff on an arm with an unhealed wound.
- Do not apply the cuff on an arm receiving an intravenous drip or blood transfusion.
It may cause injury or accidents.
- Do not use the device where flammable gases such as anesthetic gases are present. It may cause an explosion.
- Do not use the device in highly concentrated oxygen environments, such as a high-pressure oxygen chamber or an oxygen tent. It may cause a fire or explosion.


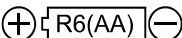














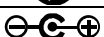
Parts Identification



Part of Display



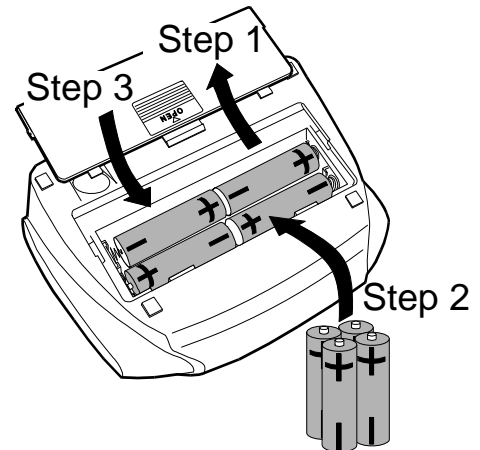
Symbols

Symbols	Function / Meaning	Recommended Action
	Standby and power on.	_____
	Battery installation guide	_____
	Direct current	_____
SN	Serial number	_____
2006 	Date of manufacture	_____
	Type BF: Device, cuff and tubing are designed to provide special protection against electrical shocks.	_____
	The indicator that appears while measurement is in progress. It blinks when the pulse is detected.	Measurement is in progress. Remain as still as possible.
	Irregular Heartbeat indicator. (I.H.B.) The indicator that appears when an irregular heartbeat or any excessive body movement is detected during the measurement.	_____
M	Previous measurements stored in MEMORY.	_____
 Full Battery	The battery power indicator during the measurement.	_____
 Low Battery	The indicator blinks when battery power is low.	Replace all batteries with new ones, when the indicator blinks.
<i>Err</i>	Unstable blood pressure due to movement during the measurement.	Try the measurement again. Remain very still during the measurement. Fasten the cuff correctly, and try the measurement again.
	The systolic and diastolic values are within 10 mmHg of each other.	
	The pressure value did not increase during inflation.	
<i>Err</i> <i>Err</i> <i>Err</i>	The cuff is not fastened correctly.	Fasten the cuff correctly, and try the measurement again.
<i>Err</i> PUL. DISPLAY ERROR	The pulse is not detected correctly.	
SYS	Systolic blood pressure in mmHg	
DIA	Diastolic blood pressure in mmHg.	_____
PUL./min	Pulse per minute	_____
 0123	EC directive medical device label	_____
 0678	R&TTE directive transmitter module label	_____
	WEEE label	_____
	Manufacturer	_____
	EU-representative	_____
	Class II device	_____
	Refer to instruction manual/booklet	_____
	Polarity of DC jack	_____



Using the Monitor

Installing / Changing the Batteries

1. Slide the battery cover up to open it.
 2. Remove the used batteries and insert new batteries into the battery compartment as shown, taking care that the polarities (+) and (-) are correct.
 3. Slide the battery cover down to close.
- Use only R6P, AA batteries.

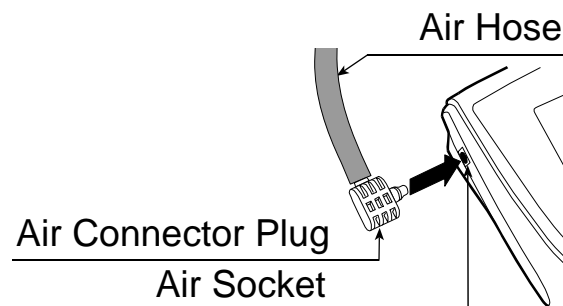


CAUTION

- Insert the batteries as shown in the battery compartment. If not, the device will not work.
- When  (LOW BATTERY mark) blinks in the display, replace all batteries with new ones. Do not mix old and new batteries. It may shorten the battery life, or cause the device to malfunction.
-  (LOW BATTERY mark) does not appear when the batteries are drained.
- Battery life varies with the ambient temperature and may be shorter at low temperatures.
- Remove the batteries if the device is not to be used for a long time. The batteries may leak and cause a malfunction.
- Use the specified batteries only. The batteries provided with the device are for testing monitor performance and may have a limited life.

Connecting the Air Hose

Insert the air connector plug into the air socket firmly.

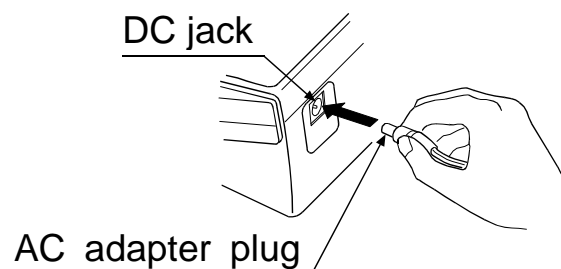


Connecting the AC Adapter

Insert the AC adapter plug into the DC jack.

Next, connect the AC adapter to an electrical outlet.

- Use the specified AC adapter.
(Refer to page 15.)



Using the Monitor

Selecting the Correct Cuff Size

Using the correct cuff size is important for an accurate reading. If the cuff is not the proper size, the reading may yield an incorrect blood pressure value.

- The arm size is printed on each cuff.
- The index ▲ and proper fit range, on the cuff, tell you if you are applying the correct cuff. (Refer to "**Applying The Arm Cuff**" on the next page.)
- If the index ▲ points outside of the range, contact your local dealer to purchase a replacement cuff.
- The arm cuff is a consumable. If it becomes worn, purchase a new one.

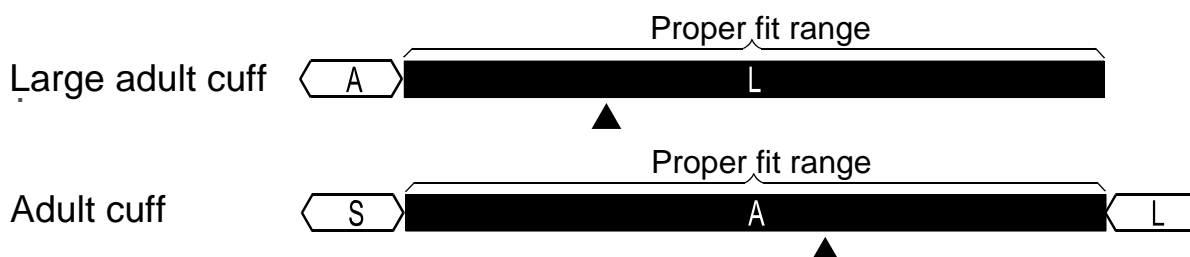
Arm Size	Recommended Cuff Size	Catalog Number
32 cm to 45 cm	Large adult cuff	CUF-D-LA
22 cm to 32 cm	Adult Cuff	CUF-D-A

Arm size: The circumference of the biceps.

Note: Model UA-767 *Plus* BT is not designed for using a small adult cuff.

Symbols that are printed on the cuff

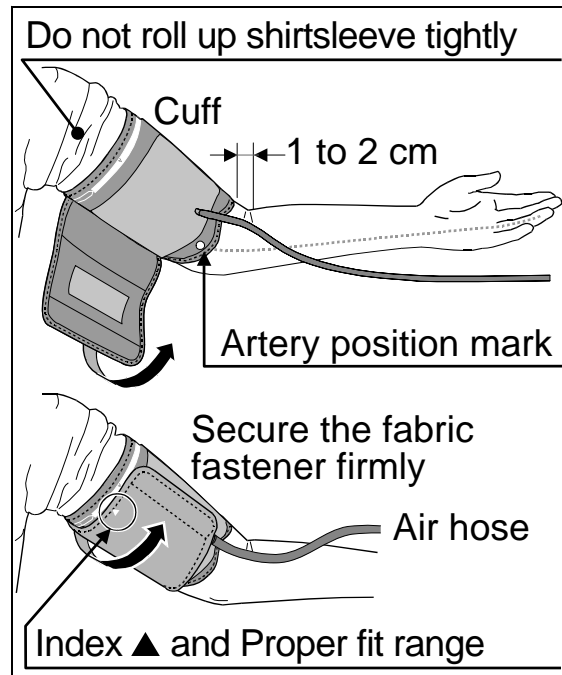
Symbols	Function/Meaning	Recommended Action
●	Artery position mark	Set the ● mark on the artery of the upper arm or in line with the ring finger on the inside of the arm.
▲	Index	_____
REF	Catalog number	_____
A	Proper fit range for the adult cuff. It's printed on the adult cuff.	_____
L	Range to use the large adult cuff. Over range printed on the adult cuff.	Use the large adult cuff instead of the adult cuff.
L	Proper fit range for the large adult cuff. It's printed on the large adult cuff.	_____
S	Under range printed on the adult cuff.	_____
A	Range to use the adult cuff. It's printed on the large adult cuff.	Use the adult cuff instead of the large adult cuff.
LOT	Lot number	_____



Using the Monitor

Applying the Arm Cuff

1. Wrap the cuff around the upper arm, about 1-2 cm above the inside of the elbow, as shown. Place the cuff directly against the skin, as clothing may cause a faint pulse, and result in a measurement error.
2. Constriction of the upper arm, caused by tightly rolling up a shirtsleeve, may prevent accurate readings.
3. Confirm that the index ▲ points within the proper fit range.



How to Take Proper Measurements

For the most accurate blood pressure measurement:

- Sit comfortably on a chair. Rest your arm on the table. Do not cross your legs. Keep your feet on the floor and straighten your back.
- Relax before measurement.
- Place the center of the cuff at the same height as your heart.
- Remain still and keep quiet during measurement.
- Do not measure immediately after physical exercise or a bath. Rest before taking the measurement.
- Try to measure your blood pressure at the same time every day.

Measurement

During measurement, it is normal for the cuff to feel very tight. (Do not be alarmed)

After Measurement

After measurement, press the **START** button to turn off the power. Remove the cuff and record your data.

Note: The device has an automatic power shut-off function, which turns the power off approximately one minute after measurement. Allow at least three minutes between measurements on the same person.

Measurements

Model UA-767 *Plus* BT is designed to detect the pulse and to inflate the cuff to a systolic pressure level automatically.

If your systolic pressure is expected to exceed 230 mmHg or you use the optional small cuff, read "Measurement with the desired systolic pressure" on the next page.

Normal Measurement

1. Place the cuff on the arm (preferably the left arm). Sit quietly during measurement.

2. Press the **START** button.
The last data of systolic and diastolic pressure and pulse rate are displayed briefly. Then the display changes, as indicated in the figure at the right, as the measurement begins. The cuff starts to inflate. It is normal for the cuff to feel very tight. A pressure bar indicator is displayed, as in the figure at the right, during inflation.

Note: If you wish to stop inflation at any time, press the **START** button again.

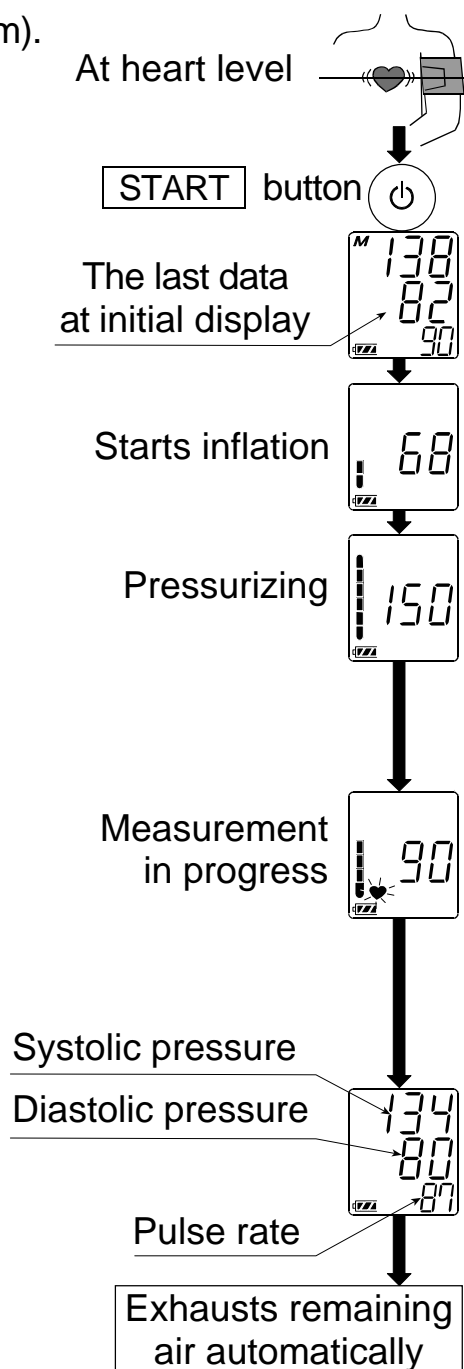
3. When inflation is complete, deflation starts automatically and the ♥ (heart mark) blinks, indicating that the measurement is in progress. Once the pulse is detected, the mark blinks with each pulse beat.

Note: If an appropriate pressure is not obtained, the device starts to inflate again automatically.

4. When the measurement is complete, the systolic and diastolic pressure readings and pulse rate are displayed. The cuff exhausts the remaining air and deflates completely.

5. Press the **START** button again to turn off the power.

Note: Model UA-767 *Plus* BT is provided with an automatic power shut-off function. Allow at least three minutes between measurements on the same person.

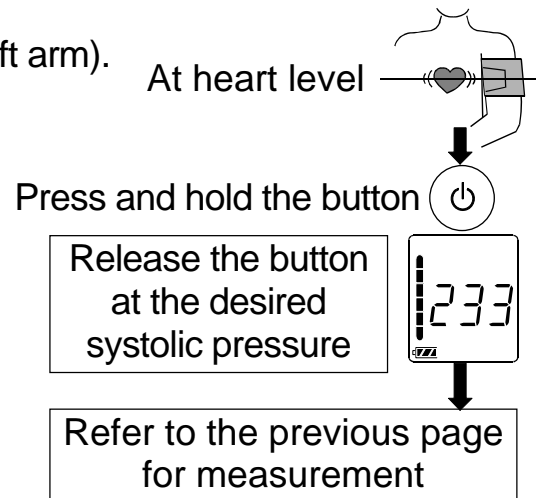


Measurements

Measurement with the Desired Systolic Pressure

If your systolic pressure is expected to exceed 230 mmHg or you use the optional small cuff, use this procedure.

1. Place the cuff on the arm (preferably the left arm).
2. Press and hold the **START** button until a number about 30 to 40 mmHg higher than your expected systolic pressure appears.
3. Release the **START** button to start measurement, when the desired number is reached. Then continue to measure your blood pressure as described on the previous page.



Notes for Proper Measurement

- Sit down in a comfortable position. Place the arm to be used for the measurement on a table or other support so that the center of the cuff will be at the same height as your heart.
- Relax for about five or ten minutes before taking a measurement. If you are excited or depressed by emotional stress, the measurement will reflect this stress as a higher (or lower) than normal blood pressure reading and the pulse reading will usually be faster than normal.
- An individual's blood pressure varies constantly, depending on what you are doing and what you have eaten. What you drink can have a very strong and rapid effect on your blood pressure.
- This device bases its measurements on the heartbeat. If you have a very weak or irregular heartbeat, the device may have difficulty determining your blood pressure.
- Should the device detect a condition that is abnormal, it will stop the measurement and display an error symbol. See page 5 for the description of symbols.
- This blood pressure monitor is intended for use by adults only. Consult with your physician before using this device on a child. A child should not use this device unattended.

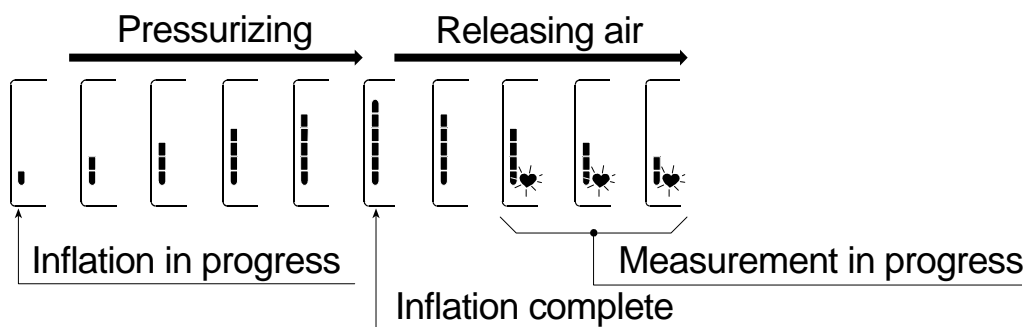
What is an Irregular Heartbeat

Model UA-767 *Plus* BT blood pressure monitor provides a blood pressure and pulse rate measurement even when an irregular heartbeat occurs. An irregular heartbeat is defined as a heartbeat that varies by 25% from the average of all heartbeats during the blood pressure measurement. It is important that you be relaxed, remain still and do not talk during measurements.

Note: We recommend contacting your physician if you see this «♥» indicator frequently.

Pressure Bar Indicator

The indicator monitors the progress of pressure during measurement.



How the Wireless Connection Works

At the end of the measurement, your blood pressure will be sent automatically to your health monitoring device. You do not need to do anything. If the health monitoring device is not working or is not within range of the blood pressure monitor, the blood pressure will be stored in the blood pressure monitor's memory (up to 40 sets).

About Blood Pressure

What is Blood Pressure?

Blood pressure is the force exerted by blood against the walls of the arteries. Systolic pressure occurs when the heart contracts. Diastolic pressure occurs when the heart expands. Blood pressure is measured in millimeters of mercury (mmHg). One's natural blood pressure is represented by the fundamental pressure, which is measured first thing in the morning while one is still at rest and before eating.

What is Hypertension and How is it Controlled?

Hypertension, an abnormally high arterial blood pressure, if left unattended, can cause many health problems including stroke and heart attack. Hypertension can be controlled by altering lifestyle, avoiding stress, and with medication under a doctor's supervision.

To prevent hypertension or keep it under control:

- Do not smoke
- Reduce salt and fat intake
- Maintain proper weight
- Exercise regularly
- Have regular physical checkups

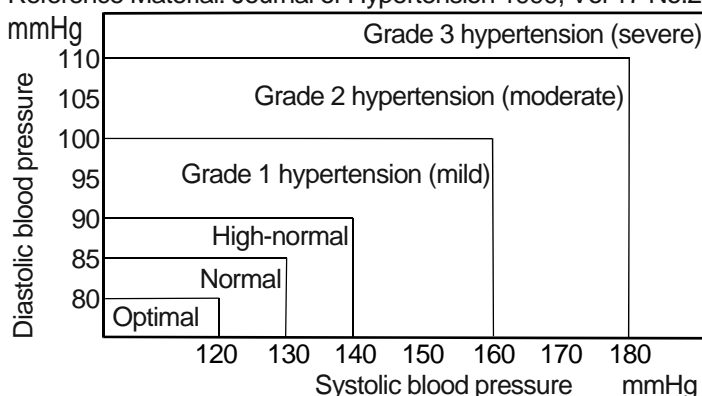
Why Measure Blood Pressure at Home?

Blood pressure measured at a clinic or doctor's office may cause apprehension and can produce an elevated reading, 25 to 30 mmHg higher than that measured at home. Home measurement reduces the effects of outside influences on blood pressure readings, supplements the doctor's readings and provides a more accurate, complete blood pressure history.

WHO Blood Pressure Classification

Standards to assess high blood pressure, without regard to age, have been established by the World Health Organization (WHO), as shown in the chart.

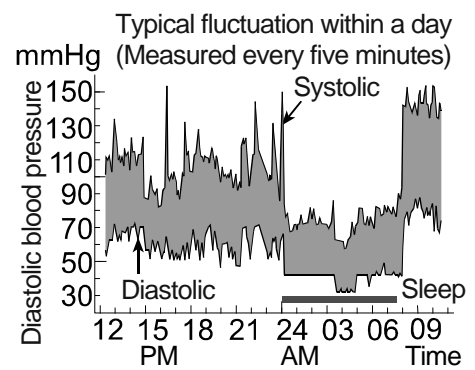
Reference Material: Journal of Hypertension 1999, Vol 17 No.2




Blood Pressure Variations

An individual's blood pressure varies greatly on a daily and seasonal basis. It may vary by 30 to 50 mmHg due to various conditions during the day. In hypertensive individuals' variations are even more pronounced. Normally, the blood pressure rises while at work or play and falls to its lowest levels during sleep. So, do not be overly concerned by the results of one measurement. Take measurements at the same time every day using the procedure

described in this manual to get to know your normal blood pressure. Regular readings give a more comprehensive blood pressure history. Be sure to note date and time when recording your blood pressure. Consult your doctor to interpret your blood pressure data.



Troubleshooting

Problem	Possible Reason	Recommended Action
Nothing appears in the display, even when the power is turned on.	Batteries are drained.	Replace all batteries with new ones.
	Battery terminals are not in the correct position.	Reinstall the batteries with negative and positive terminals matching those indicated on the battery compartment.
The cuff does not inflate.	Battery power is low.  (LOW BATTERY mark) blinks. [If the batteries are drained completely, the mark does not appear.]	Replace all batteries with new ones.
The unit does not measure. Readings are too high or too low.	The cuff is not fastened properly.	Fasten the cuff correctly.
	You moved your arm or body during the measurement.	Make sure you remain very still and quiet during the measurement.
	The cuff position is not correct.	Sit comfortably and still. Raise your hand so that the cuff is at the same level as your heart.
	_____	If you have a very weak or irregular heart beat, the device may have difficulty in determining your blood pressure.
Other	The value is different from that measured at a clinic or doctor's office.	See "Why measure blood pressure at home".
	_____	Remove the batteries. Place them back properly and try the measurement again.

Note: If the actions described above do not solve the problem, contact the dealer. Do not attempt to open or repair this product, as any attempt to do so will make your warranty invalid.



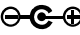





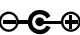



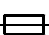
Maintenance

Do not open the device. It uses delicate electrical components and an intricate air unit that could be damaged. If you cannot fix the problem using the troubleshooting instructions, request service from your dealer or from the A&D service group. The A&D service group will provide technical information, spare parts and units to authorized dealers.

The device was designed and manufactured for a long service life. However it is generally recommended to have the monitor inspected every 2 years, to ensure proper functioning and accuracy. Please contact either your authorized dealer or A&D for maintenance.

Technical Data

Type	UA-767PBT / UA-767PBT-G
Measurement method	Oscillometric measurement
Measurement range	Pressure: 20 - 280 mmHg Pulse: 40 - 200 beats / minute
Measurement accuracy	Pressure: ± 3 mmHg Pulse: $\pm 5\%$
Power supply	4 x 1.5V batteries (R6P, LR6 or AA) or AC adapter (TB-233) (Not included)
Number of measurements	Approximately 450 measurements, when AA Alkaline batteries are used, with pressure value of 180 mmHg at room temperature of 23 °C.
Classification	Internally powered ME equipment (Supplied by batteries) / Class II (Supplied by adapter) Continuous operation mode
Clinical test	According to ANSI / AAMI SP-10 1992
EMC	IEC 60601-1-2: 2007
Memory	40 measurements
Operating condition	+10 °C to +40 °C / 15 %RH to 85 %RH / 800 hPa to 1060 hPa
Transport / Storage condition	-10 °C to +60 °C / 15 %RH to 85 %RH
Dimensions	Approx. 147 [W] x 64 [H] x 110 [D] mm
Weight	Approx. 300 g, excluding the batteries

Applied part	Cuff Type BF 
Useful life	Device: 5 years (when used six times a day) Cuff: 2 years (when used six times a day)
Wireless communication	WML-40AH (MITSUMI Electronics Co. Ltd.)
Accessory AC adapter	The adapter is to connect the device to a power source at home.
TB-233	Please contact your local A&D dealer for purchasing. The AC adapter is required to be inspected or replaced periodically.
TB-233C	Input: 100-240V Output: 6V  500mA      139°C 2A
TB-233BF	Input: 100-240V Output: 6V  500mA      139°C 2A

Accessories sold separately

Cuff

Catalog Number	Cuff Size	Arm Size
CUF-D-LA	Large adult cuff	32 cm to 45 cm
CUF-D-A	Adult cuff	22 cm to 32 cm

AC adapter

Catalog Number	Plug (Outlet type)
TB-233C	Type C
TB-233BF	Type BF

Note: Specifications are subject to change without prior notice.

EMC table information is listed on our website:

http://www.aandd.jp/products/manual/medical/emc_acadapter_en.pdf



A&D Company, Limited

1-243 Asahi, Kitamoto-shi, Saitama 364-8585 JAPAN
Telephone: [81] (48) 593-1111 Fax: [81] (48) 593-1119

EC REP A&D INSTRUMENTS LIMITED

Unit 24/26 Blacklands Way, Abingdon Business Park, Abingdon, Oxfordshire OX14 1DY United Kingdom
Telephone: [44] (1235) 550420 Fax: [44] (1235) 550485

A&D ENGINEERING, INC.

1756 Automation Parkway, San Jose, California 95131 U.S.A.
Telephone: [1] (408) 263-5333 Fax: [1] (408)263-0119

A&D AUSTRALASIA PTY LTD

32 Dew Street, Thebarton, South Australia 5031 AUSTRALIA
Telephone: [61] (8) 8301-8100 Fax: [61] (8) 8352-7409