

About the MC series balance function settings

□ Factory settings have been changed for stable weighing

The factory settings described on page 31 of the MC series instruction manual have been changed.

The MC series are high resolution balances. Therefore, external disturbances such as breezes or vibrations may cause unstable weighing values.

For stable weighing, the factory settings of the following functions have been changed to those more resistant to external disturbances, as shown below.

New factory settings

Class	Item and Parameter		Description
bR5Fnc Environment Display	<i>Cond</i>	Condition	▪ 2 Slow response rate, stable value "SLOW"
	<i>F iL</i>	Filter	▪ 1 Used

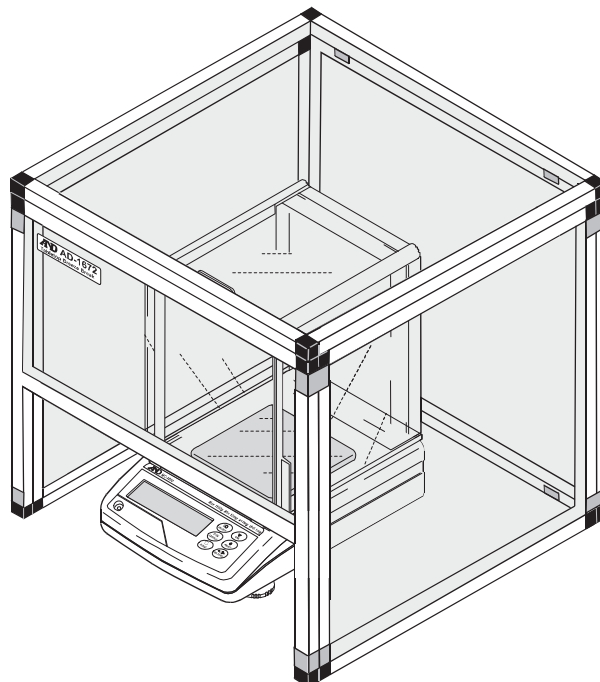
Note: When the balance initialization is performed, the function settings will be changed as shown below. After initialization, confirm that the settings are appropriate before weighing.

Settings after initialization

Class	Item and Parameter		Description
bR5Fnc Environment Display	<i>Cond</i>	Condition	1 "MID."
	<i>F iL</i>	Filter	0 Not used

□ For stable weighing

When weighing values are unstable even with the functions set to those more resistant to external disturbances ("*Cond*" to "1" and "*F iL*" to "0"), use the AD-1672 Tabletop Breeze Break to protect the balance from breezes.



Usage example: AD-1672 Tabletop Breeze Break and MC-1000 Balance