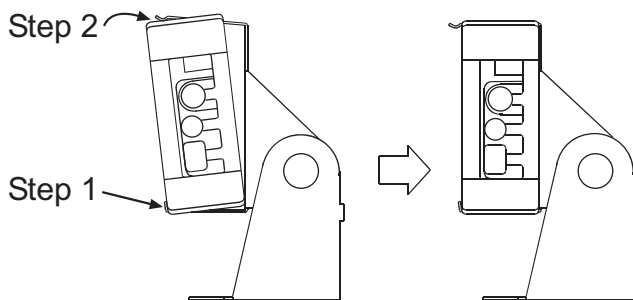


AD-1687-22: Stand for the AD-1687 Instruction Manual

1WMPD4002604

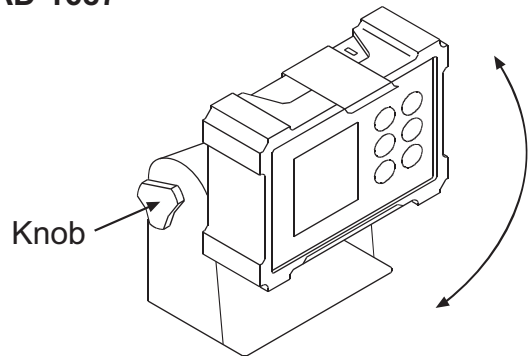
1. Attaching the AD-1687 weighing environment data logger to the stand



Step 1. Insert the bottom of the AD-1687 into the lower part of the stand.

Step 2. Press the upper part of the AD-1687 so that the AD-1687 fits securely into the stand.

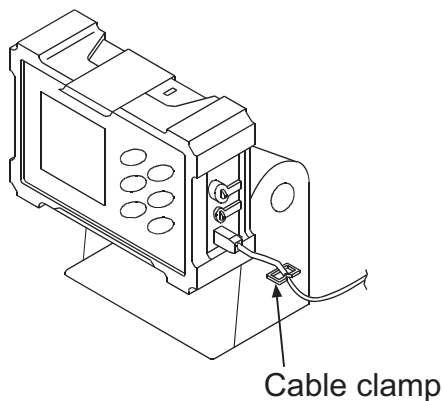
2. Adjusting the viewing angle of the AD-1687



Step 1. Loosen the knob and adjust the angle of the AD-1687 for appropriate viewing.

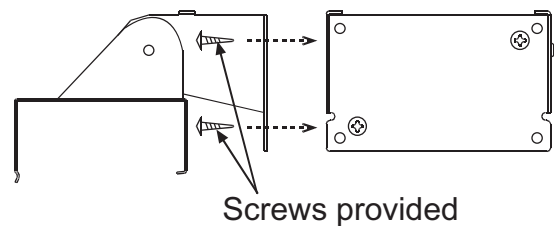
Step 2. After adjustment, fasten the knob.

3. Using the cable clamp



- A cable clamp is provided on the right side of the stand. Use the clamp to hold cables in place.

4. Securing the stand to the wall



- Using the two screws provided with the stand, the stand can be secured to the wall.
- After securing the stand to the wall, attach the AD-1687 to the stand and adjust the viewing angle.