

AD-1685 Anti-Vibration Table

Instruction manual

1. Cautions Of Installing The Table

- We recommend that you read through this manual carefully before using the anti-vibration tables (AD-1685) for the first time.

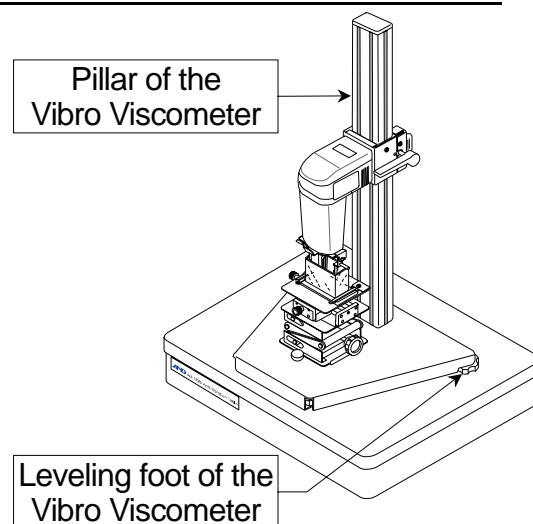
Cautions

- When installing or moving the anti-vibration table, do not drop it or tip it excessively, to prevent personal injury.
- Keep the adjuster's shaft length within 15mm to prevent it from falling off. If an adjuster falls off, the table may tilt. Anything on top plate of the table could slide off and cause personal injury.
- Prepare enough space to install the anti-vibration table. Prevent the table from touching anything.
- Keep the center of gravity of the loaded device at the center of the top plate in the table. A position error will cause the top plate to tilt.
- When loading a 1kg mass at the center of top plate, the top plate sinks 1 mm. Verify how much the loaded device causes the top plate to sink or tilt.

2. Cautions Of The Device Loaded On The Top Plate

- If you use an analytical balance (capacity: 200g or smaller) in a room that is trembled in vibrations (*1), we recommend using the anti-vibration table.
- If using a balance on a slanted gradient table, a weighing error occurs. Therefore, maintain the horizontal level of the balance during the measurement including hand operations.
- Pressing the balance keys causes the table to tilt, causing a weighing error. To prevent a weighing error, use the remote controller (AD-8922) placed to the side of the table.
- Concerning the vibro viscometer (SV series), select an installing position and adjust the leveling feet so that the pillar is vertical.
- The performance of the loaded device is influenced by the way of using the anti-vibration table. In some cases, the performance may not be adequate.

*1 The cause of these vibrations: an earthquake from a distance, a seasonal wind, a storm, a running vehicle, an active motor within walking distance, etc. .



3. Features

- A sensitive and precision measurement (or weighing) is influenced by insensible ambient vibration (*1) of the ground and the building. The low resonance frequency design of the anti-vibration table (AD-1685) can reduce from low frequency vibration. The viscoelastic body can shorten the transient times of the vibration, attenuating these vibrations quickly.

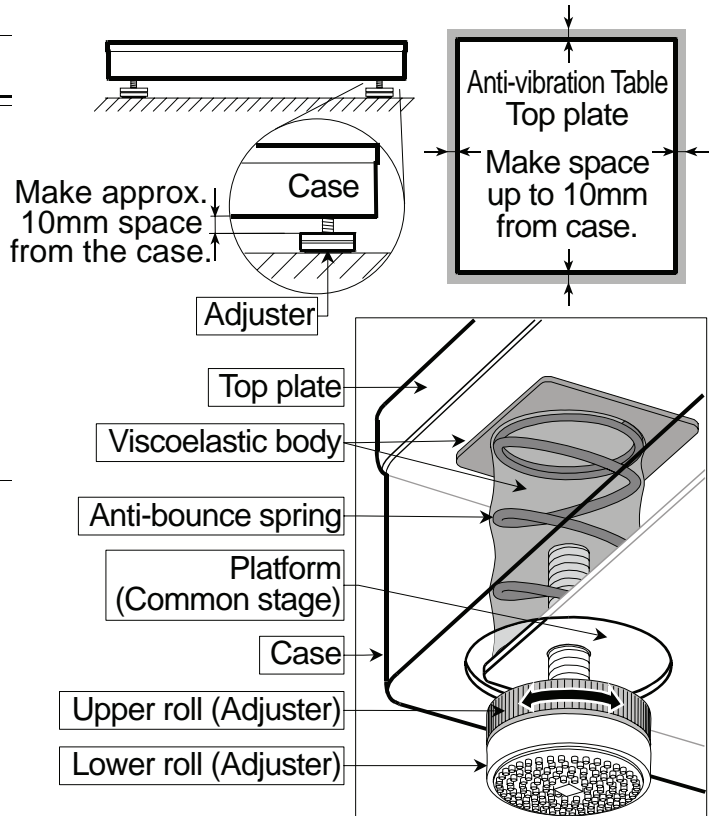
4. Steps

4.1. Installing The Table

- Confirm the place to install the table.
Condition: firm, stable and level surface.
Establish a free space up to 10mm from the side surface of the case so that the case is not in contact with anything.
- Extend the adjuster from the case bottom approximately 10mm.

4.2. Adjusting The Level And Moment Of The Loaded Device

- Level the top plate using the upper roll of the four adjusters.
- While maintaining the level of the top plate, adjust the loading position of the device and adjust the level using the function (spirit level) of the device.



5. Maintenance Of The Table

| | |
|-----------|---|
| Top Plate | Wipe with dry cloth. Note: Solvents may stain the plate. |
| Case | Wipe the stain with a cloth moistened with a neutral detergent. |

6. Specifications

| | | |
|----------|--|--|
| Mass | 19kg | |
| Size | Depth 450mm, wide 420mm, height 100 to 115mm (with adjuster and loaded device) | |
| Range | 5kg to 9kg | |
| Change | Approximately 1mm/kg (Loading at the center of top plate) | |
| Material | Top plate Case Adjuster | Shaft Upper roll, Lower roll Bottom of the Lower roll |
| | | Natural black granite Iron plate printed with paint coat Steel (SWCH) Polyamide resin Polyurethane resin |

Note

- The table may not eliminate all vibration perfectly.